



(12) **United States Design Patent**  
**Doster**

(10) **Patent No.:** **US D648,630 S**  
(45) **Date of Patent:** **\*\* Nov. 15, 2011**

- (54) **PEN TRAY**
- (75) Inventor: **Gary A. Doster**, Orchard Park, NY (US)
- (73) Assignee: **Zippo Manufacturing Company**,  
Bradford, PA (US)
- (\*\*) Term: **14 Years**
- (21) Appl. No.: **29/355,369**
- (22) Filed: **Feb. 5, 2010**
- (51) **LOC (9) Cl.** ..... **09-07**
- (52) **U.S. Cl.** ..... **D9/456; D19/83**
- (58) **Field of Classification Search** ..... D3/206,  
D3/310, 315; D19/75, 77-86, 90-95; 24/11 CC,  
24/11 CT, 11 F, 11 P, 11 R, 3.7; 206/214,  
206/224, 371, 486; 211/69.1-69.9; D9/414,  
D9/424, 432, 455, 456, 737  
See application file for complete search history.

(56) **References Cited**

**U.S. PATENT DOCUMENTS**

160,501	A *	3/1875	Alderson	24/17	R
D147,025	S *	7/1947	Shepard	D9/756	
3,630,344	A *	12/1971	Bergh et al.	206/777	
3,880,283	A *	4/1975	Flaherty et al.	206/316.1	
3,910,410	A *	10/1975	Shaw	220/359.3	
4,320,829	A *	3/1982	DiMarzio et al.	206/776	
4,736,838	A *	4/1988	Nakata et al.	206/762	
4,912,855	A *	4/1990	Tatelbame	33/558.01	
5,186,320	A *	2/1993	Aida	206/527	
D343,197	S *	1/1994	Peersmann	D19/75	
D362,274	S *	9/1995	Willat	D19/83	

(Continued)

Primary Examiner — Elizabeth Albert  
(74) Attorney, Agent, or Firm — Baker & McKenzie LLP

(57) **CLAIM**  
The ornamental design for a pen tray, as shown and described.

**DESCRIPTION**

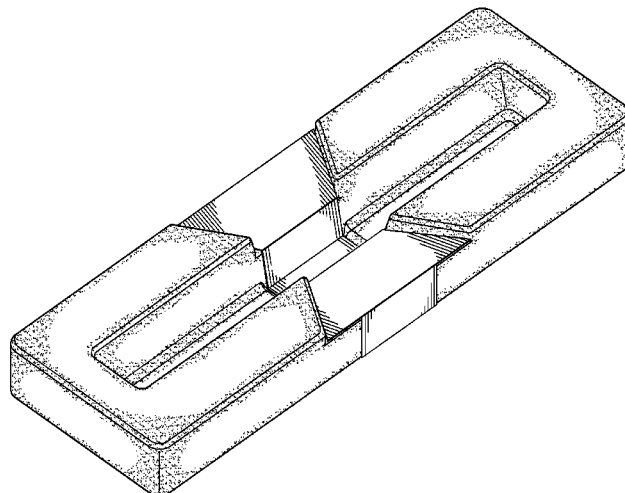
FIG. 1 is a perspective view of a first embodiment of a pen tray in accordance with my design;

FIG. 2 is a top view;  
 FIG. 3 is a bottom view;  
 FIG. 4 is a side view; the opposite view being a mirror image thereof;  
 FIG. 5 is a front view; the opposite view being a mirror image thereof;  
 FIG. 6 is an exploded perspective view with a folded I-card;  
 FIG. 7 is a perspective view of a second embodiment of a pen tray in accordance with my design;  
 FIG. 8 is a top view;  
 FIG. 9 is a bottom view;  
 FIG. 10 is a side view; the opposite view being a mirror image thereof;  
 FIG. 11 is a front view; the opposite view being a mirror image thereof;  
 FIG. 12 is an exploded perspective view;  
 FIG. 13 is a perspective view of a third embodiment of a pen tray in accordance with my design;  
 FIG. 14 is a top view;  
 FIG. 15 is a bottom view;  
 FIG. 16 is a side view; the opposite view being a mirror image thereof;  
 FIG. 17 is a front view; the opposite view being a mirror image thereof;  
 FIG. 18 is an exploded perspective view;  
 FIG. 19 is a perspective view of a fourth embodiment of a pen tray in accordance with my design;  
 FIG. 20 is a top view;  
 FIG. 21 is a bottom view;  
 FIG. 22 is a side view; the opposite view being a mirror image thereof;  
 FIG. 23 is a front view; the opposite view being a mirror image thereof; and,  
 FIG. 24 is an exploded perspective view.

The broken lines in FIGS. 3, 9, 15 and 21 are included for the purpose of illustrating the bottom surface that forms no part of the claimed design.

The stippling is understood to be distributed uniformly over the surfaces on which it is partially shown; it represents a surface texture and forms a part of the claimed design.

**1 Claim, 16 Drawing Sheets**



# US D648,630 S

Page 2

---

## U.S. PATENT DOCUMENTS

D365,754	S *	1/1996	Plassier .....	D9/423	D467,172	S *	12/2002	Thompson et al. ....	D9/415
5,495,938	A *	3/1996	Bedford et al. ....	206/763	6,811,127	B1 *	11/2004	Shiao .....	248/206.5
5,819,942	A *	10/1998	Sadow .....	206/522	D506,225	S *	6/2005	Mills et al. ....	D19/83
6,029,816	A *	2/2000	Goodwin et al. ....	206/371	D514,805	S *	2/2006	Owen et al. ....	D3/206
6,196,388	B1 *	3/2001	Kaposvari .....	206/371	D572,588	S *	7/2008	Osborn et al. ....	D9/456
D451,667	S *	12/2001	Bozeat .....	D3/206	D615,402	S *	5/2010	Doster .....	D9/457

\* cited by examiner

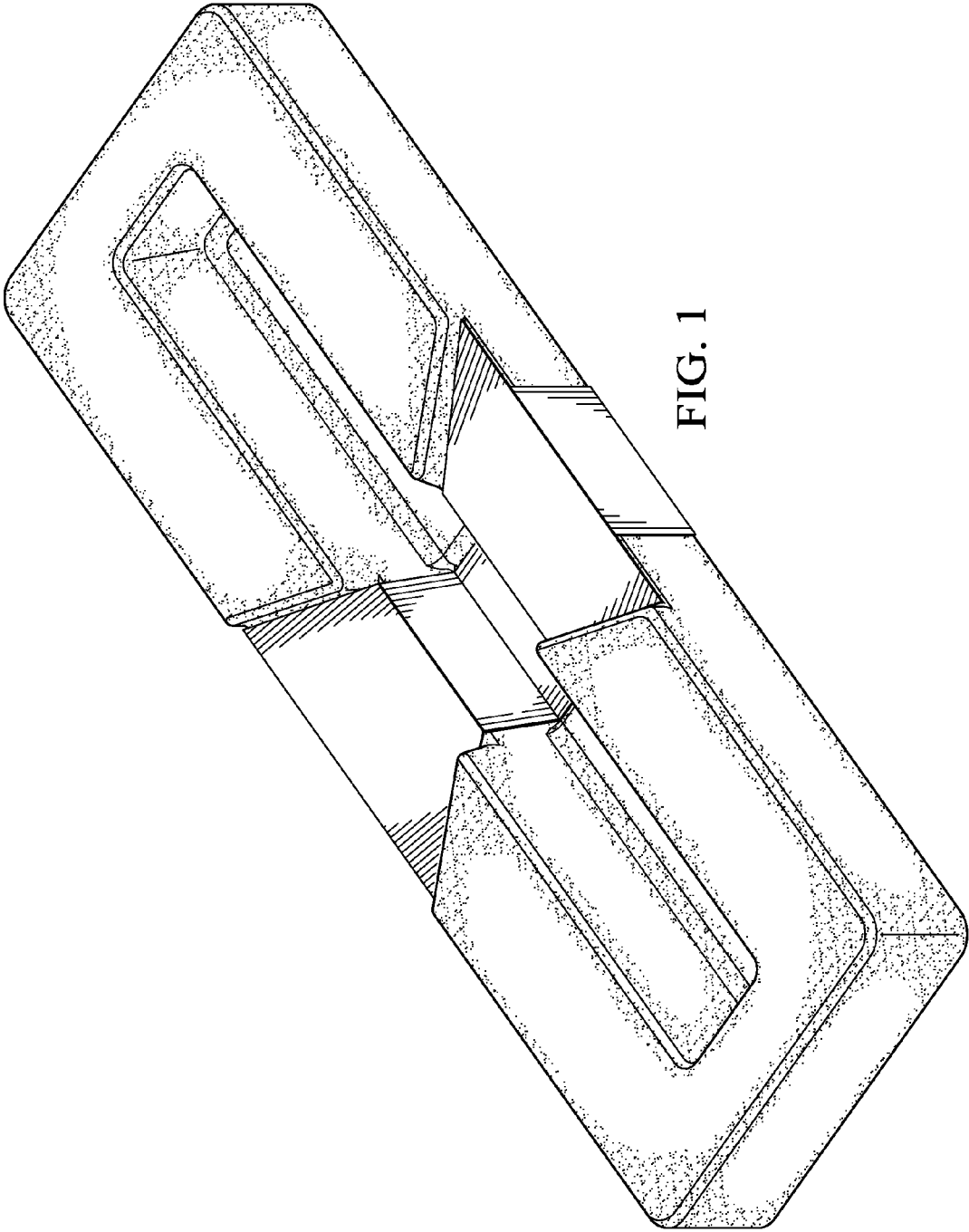


FIG. 1

FIG. 2

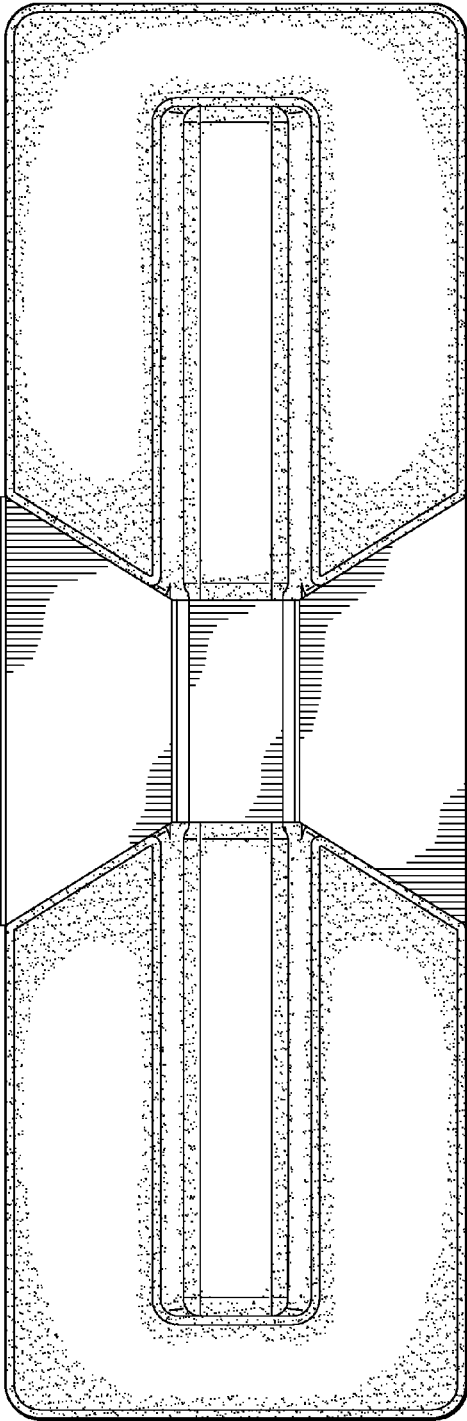
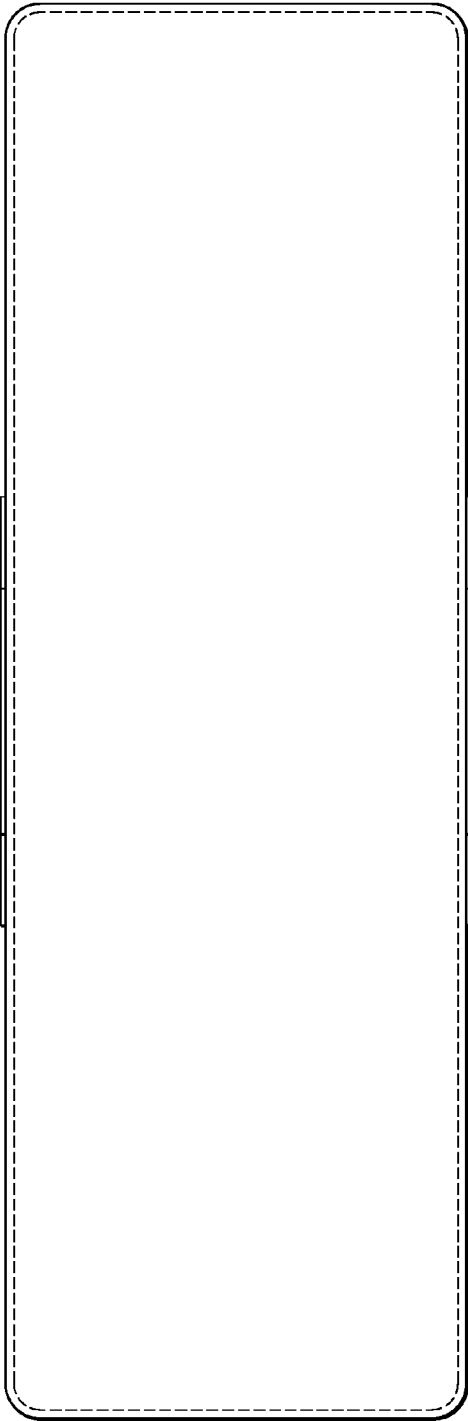


FIG. 3



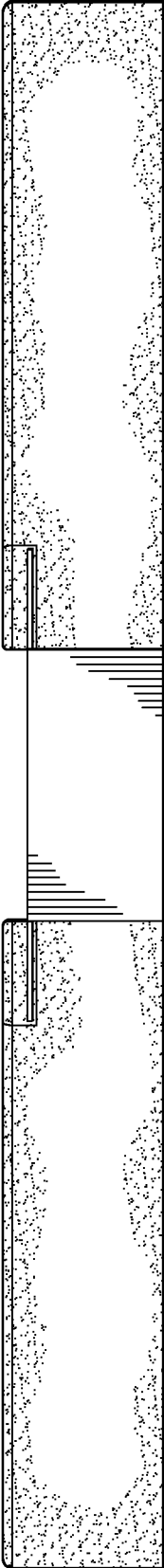


FIG. 4



FIG. 5

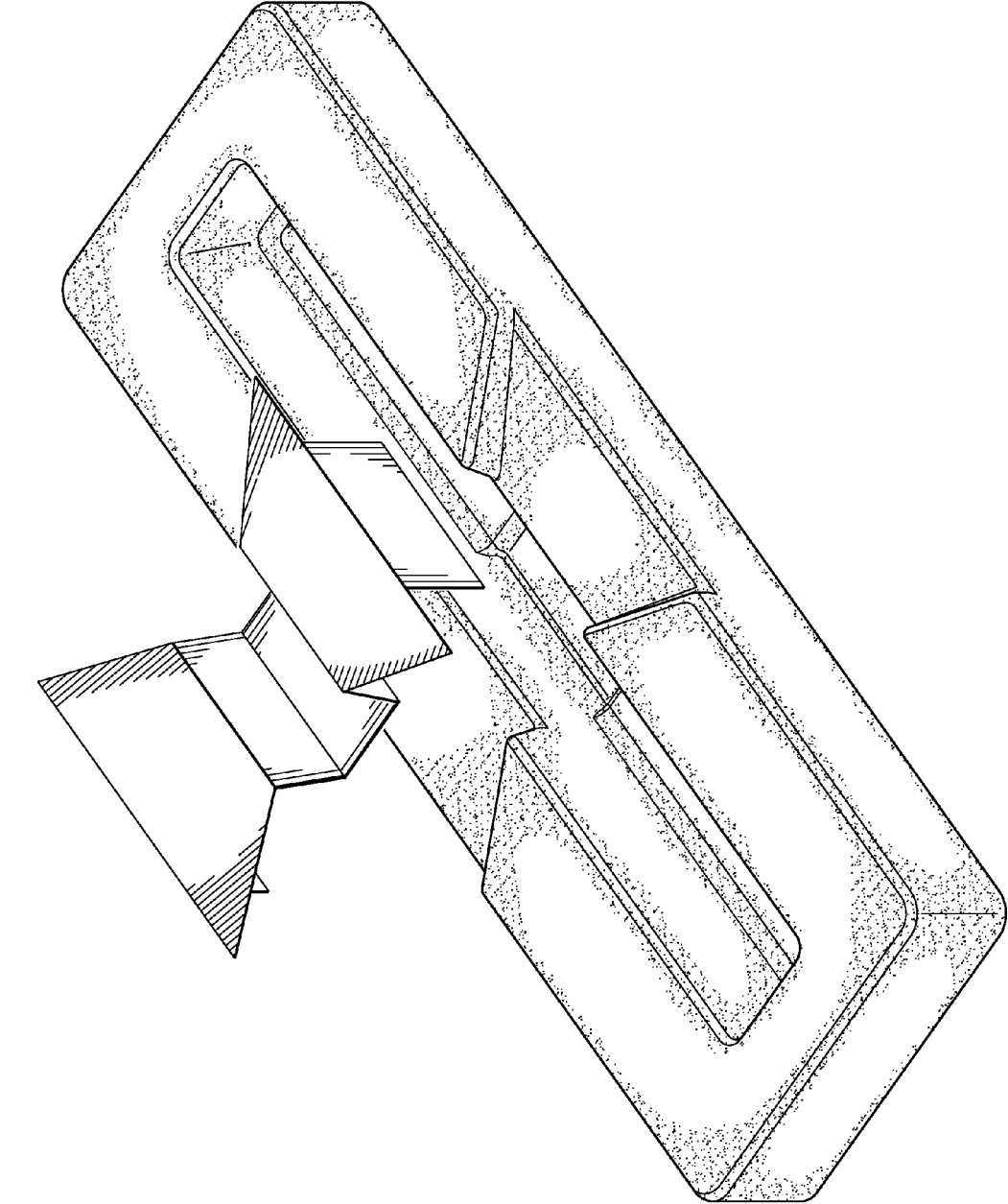


FIG. 6

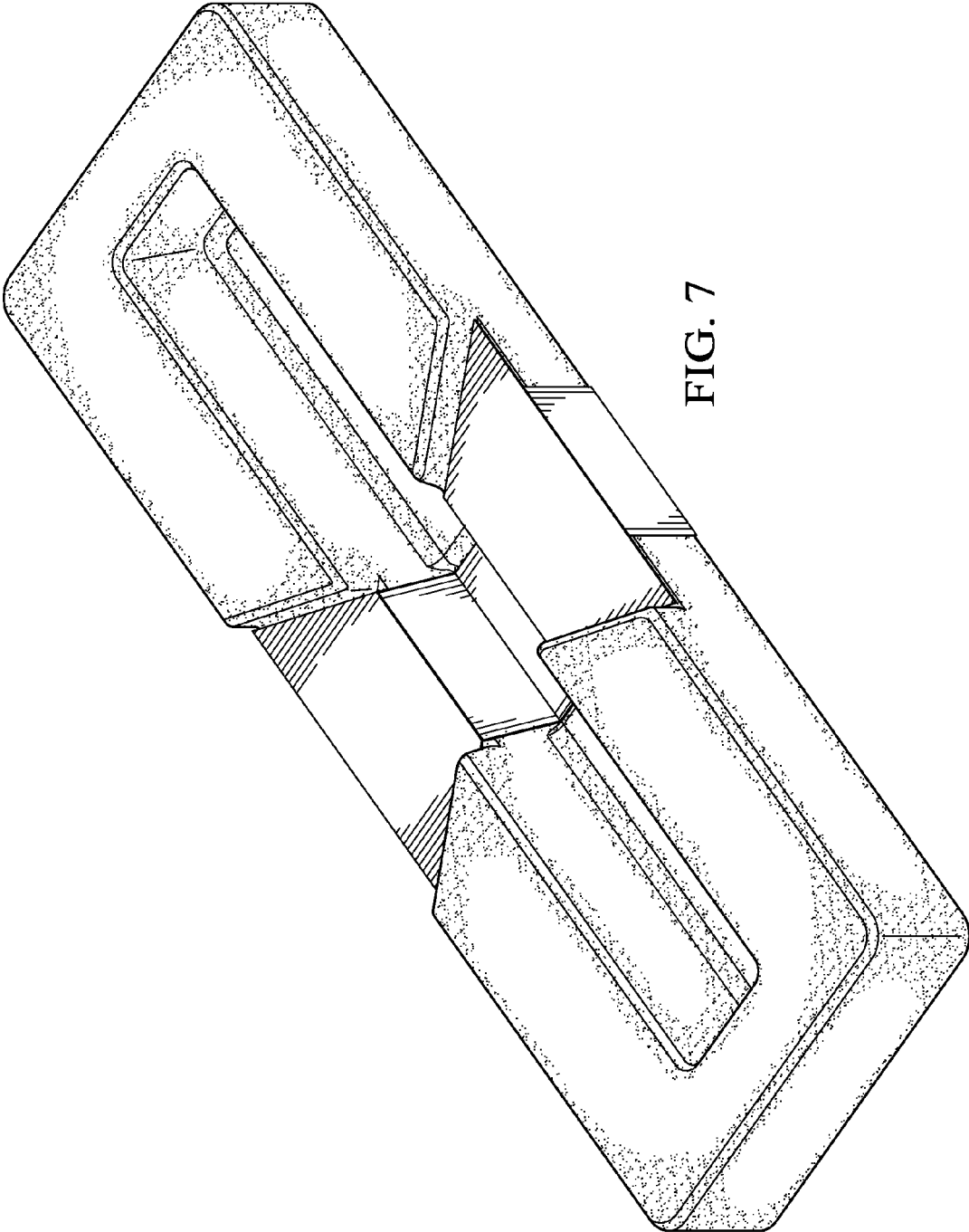


FIG. 7

FIG. 8

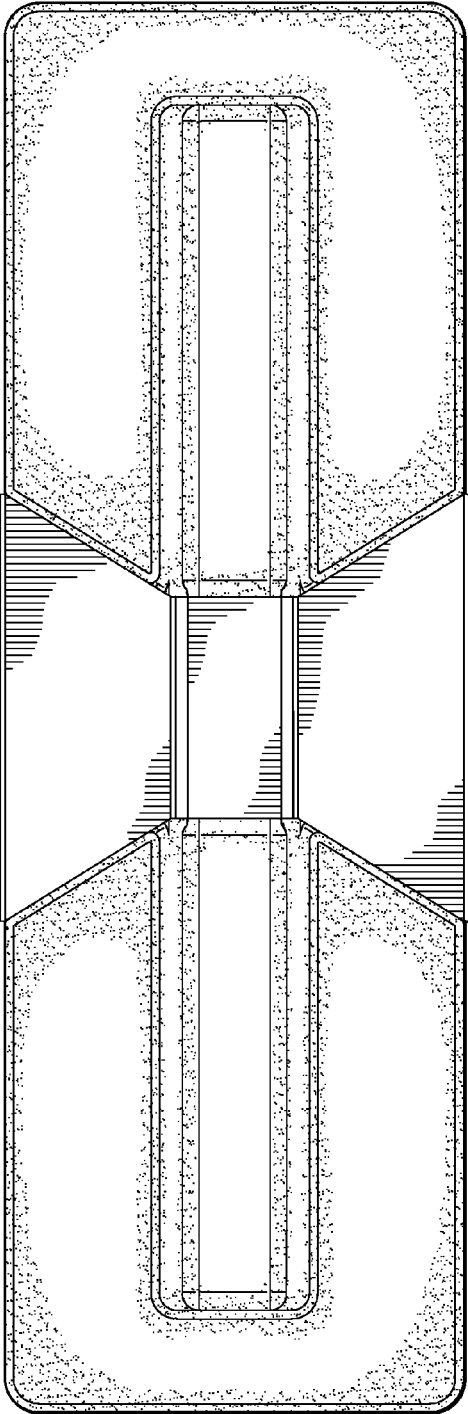
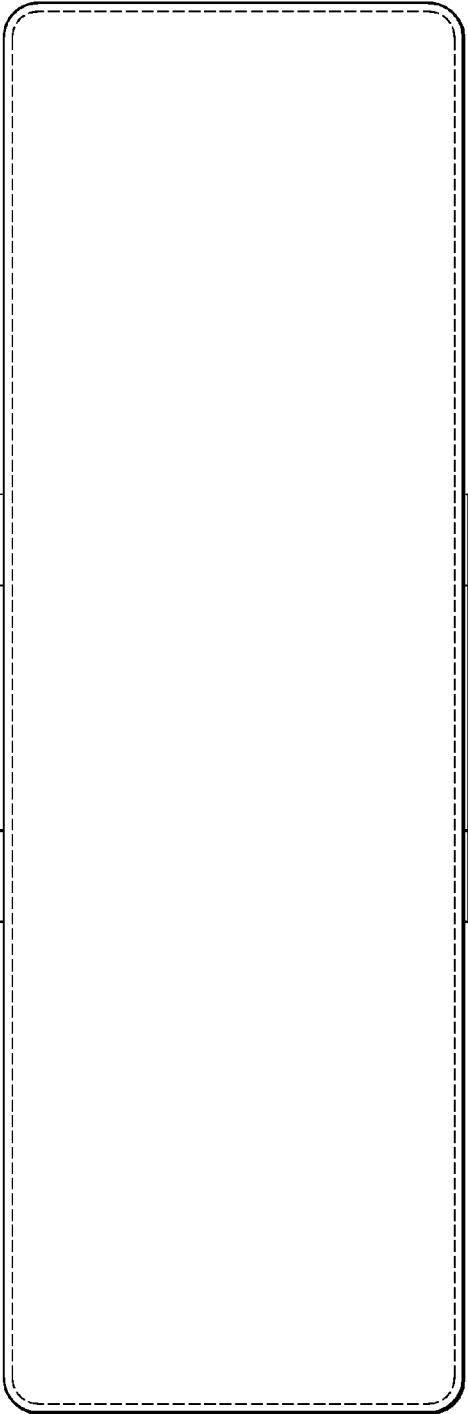


FIG. 9





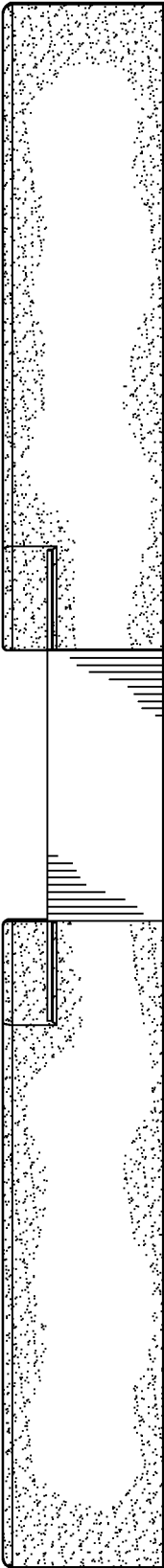


FIG. 10

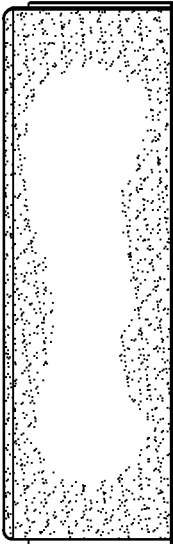


FIG. 11

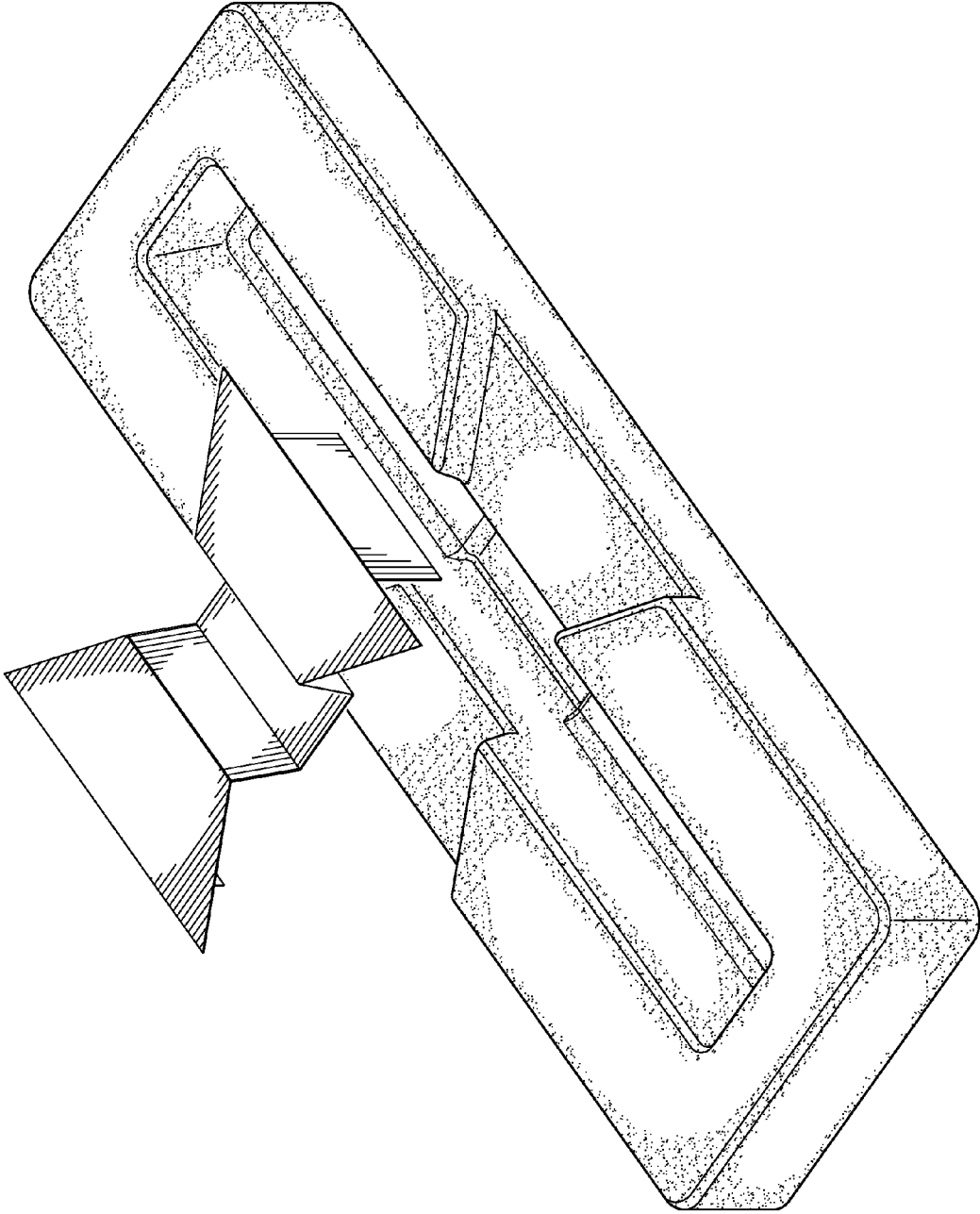


FIG. 12

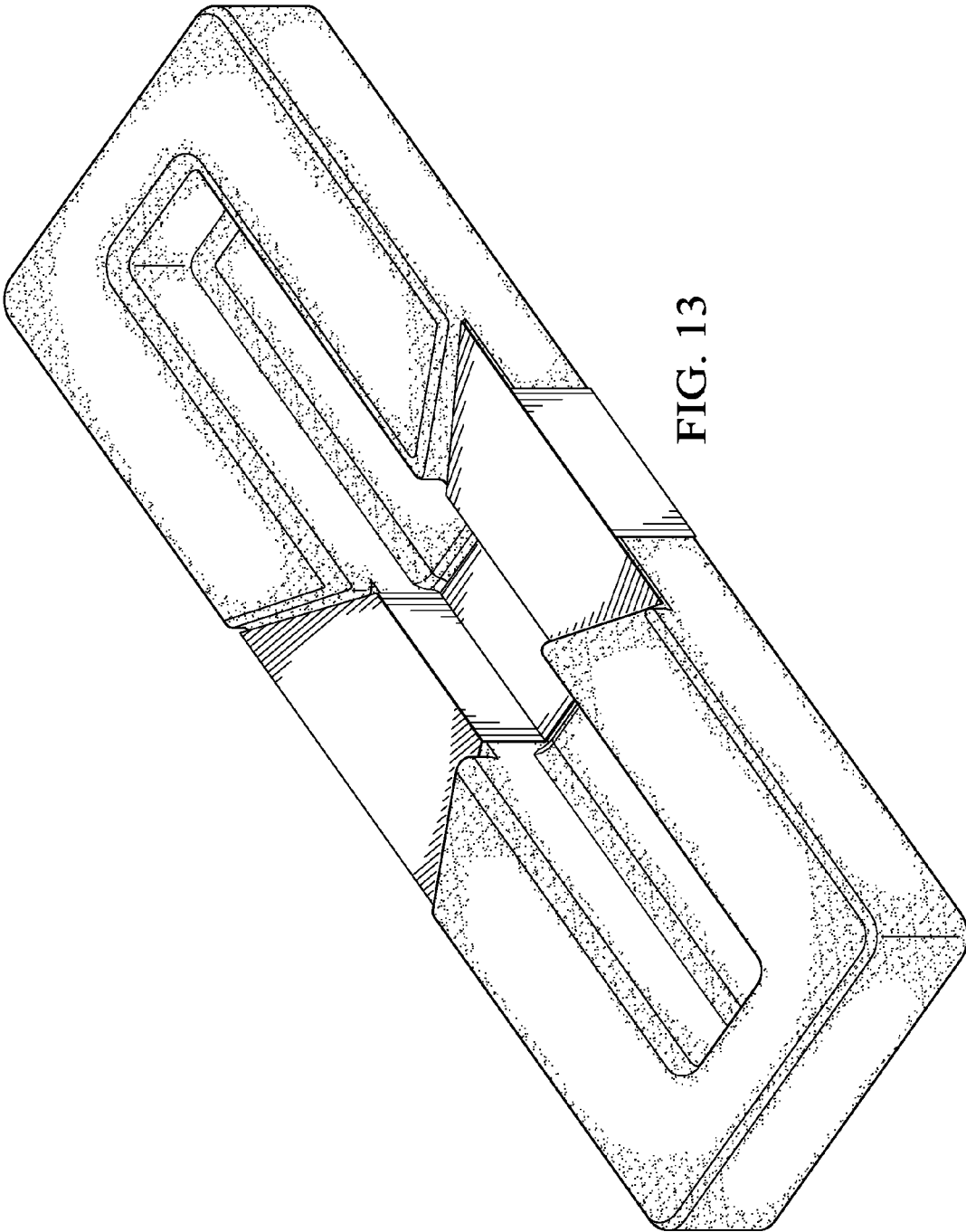


FIG. 13

FIG. 14

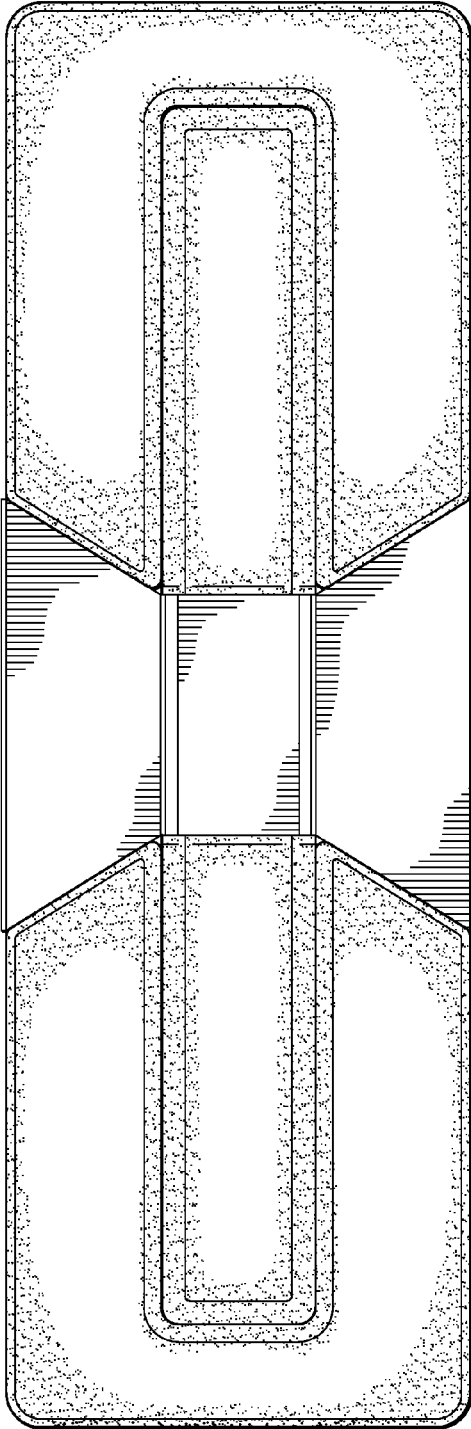
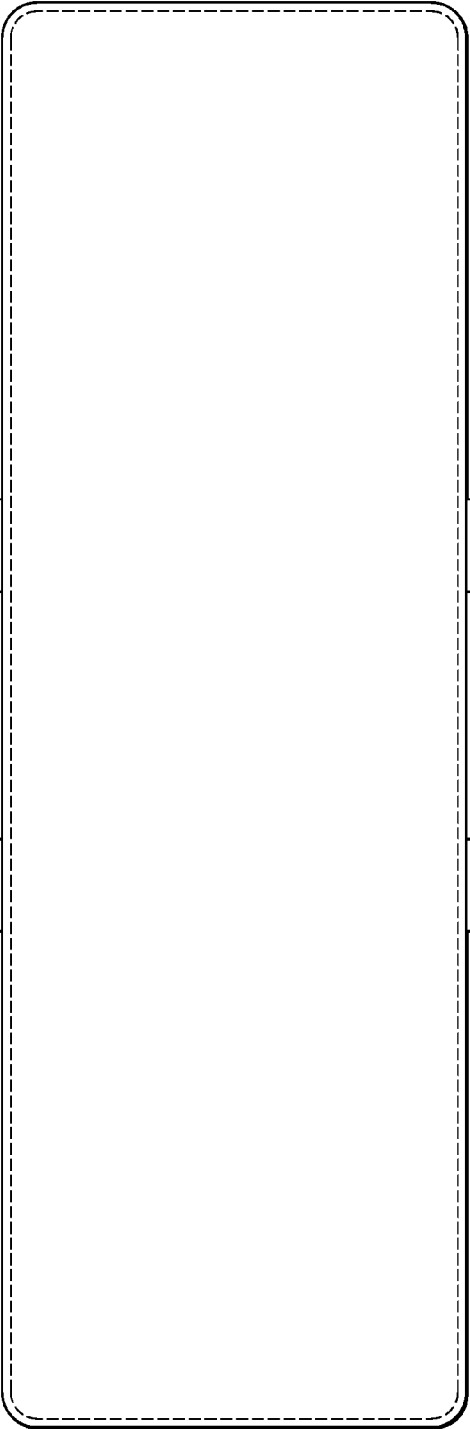


FIG. 15



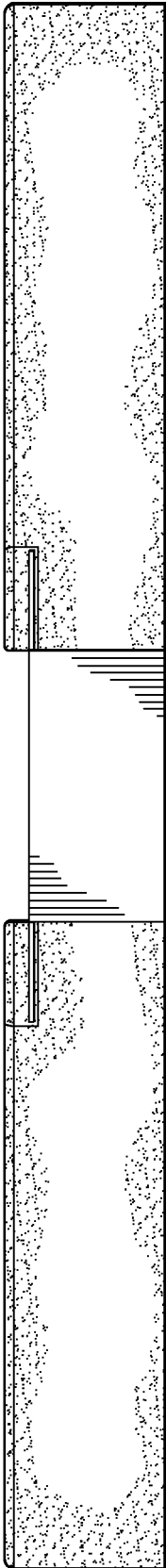


FIG. 16

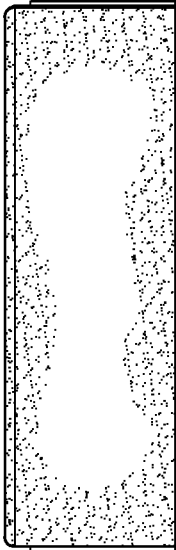


FIG. 17

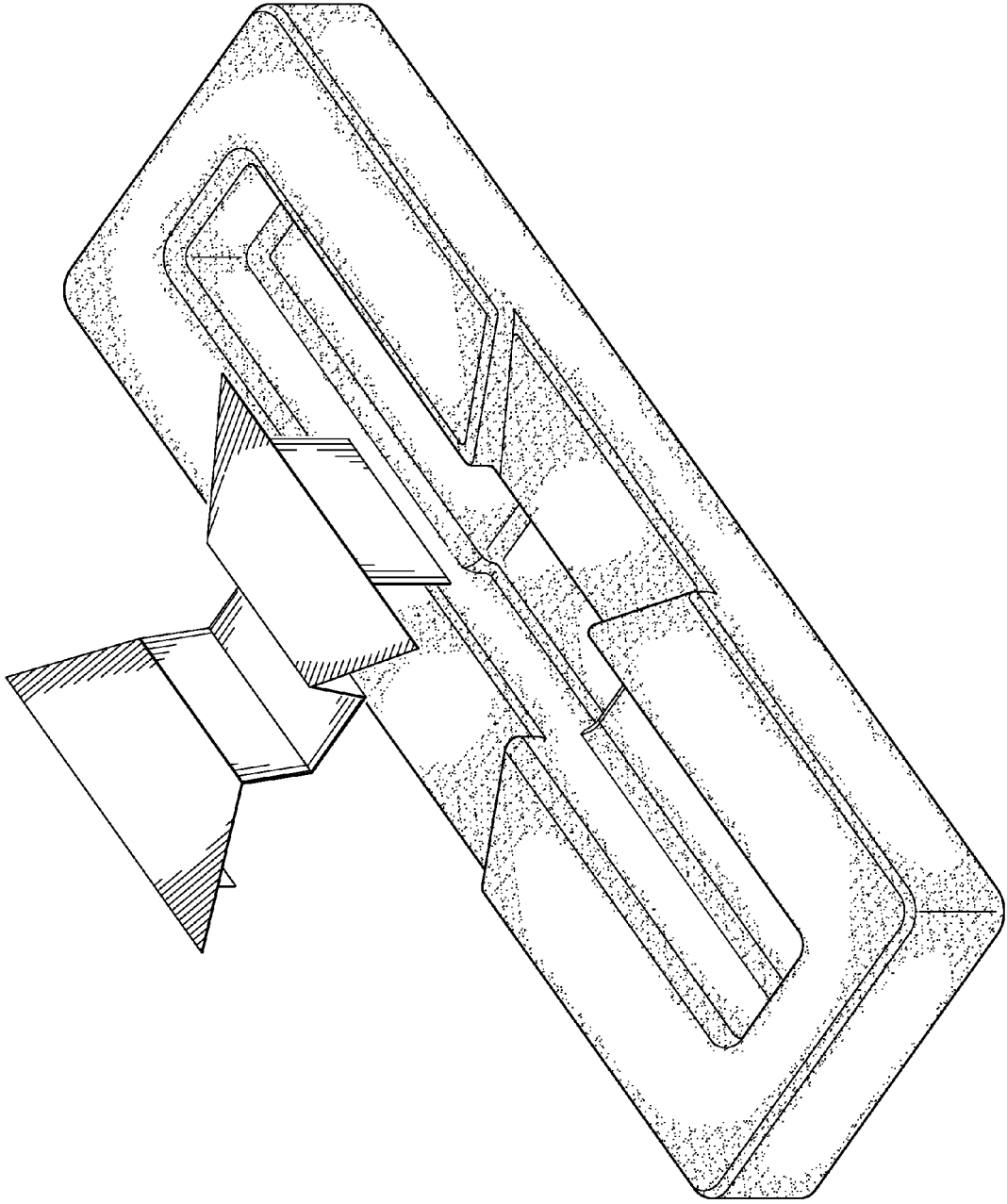


FIG. 18

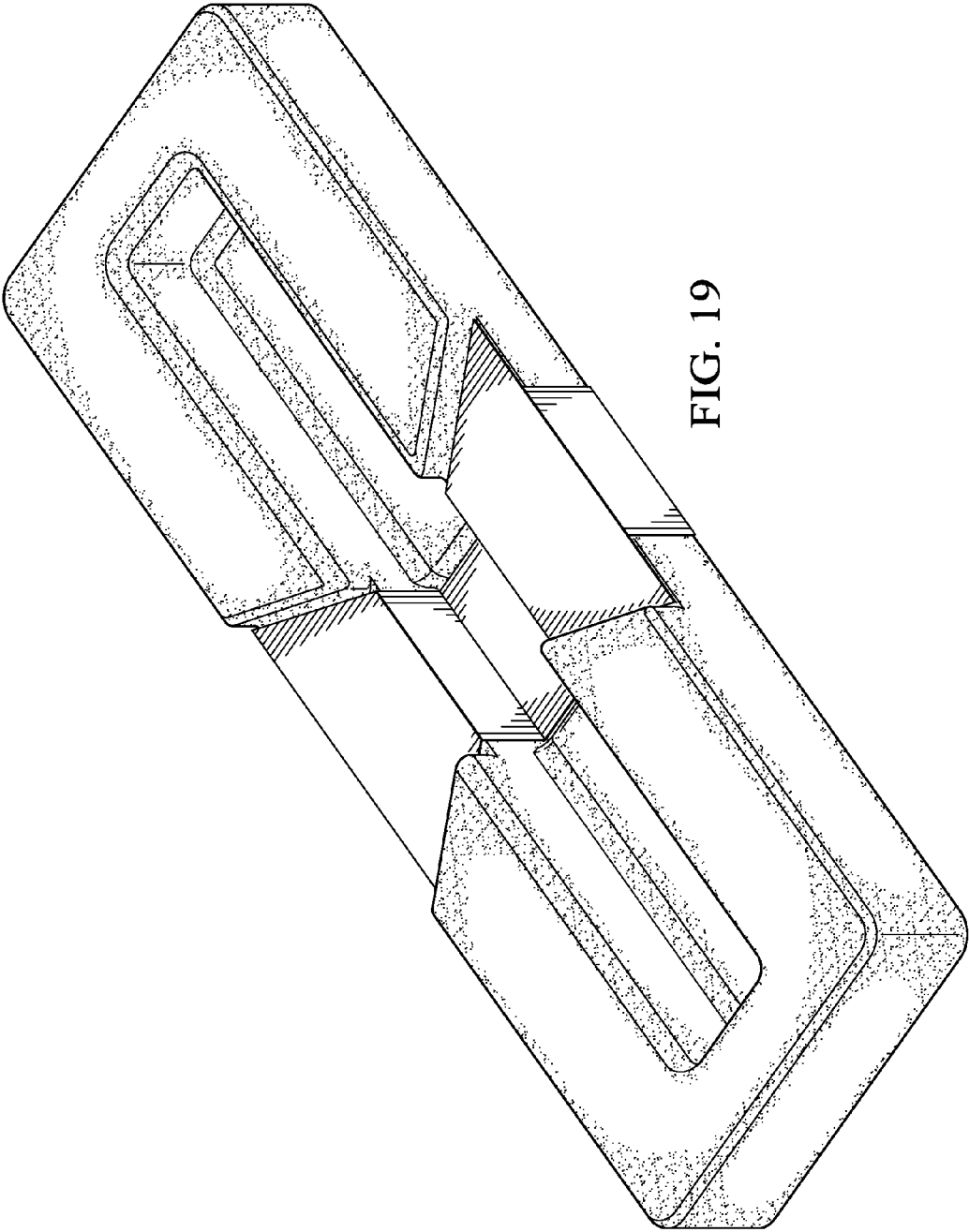


FIG. 19

FIG. 20

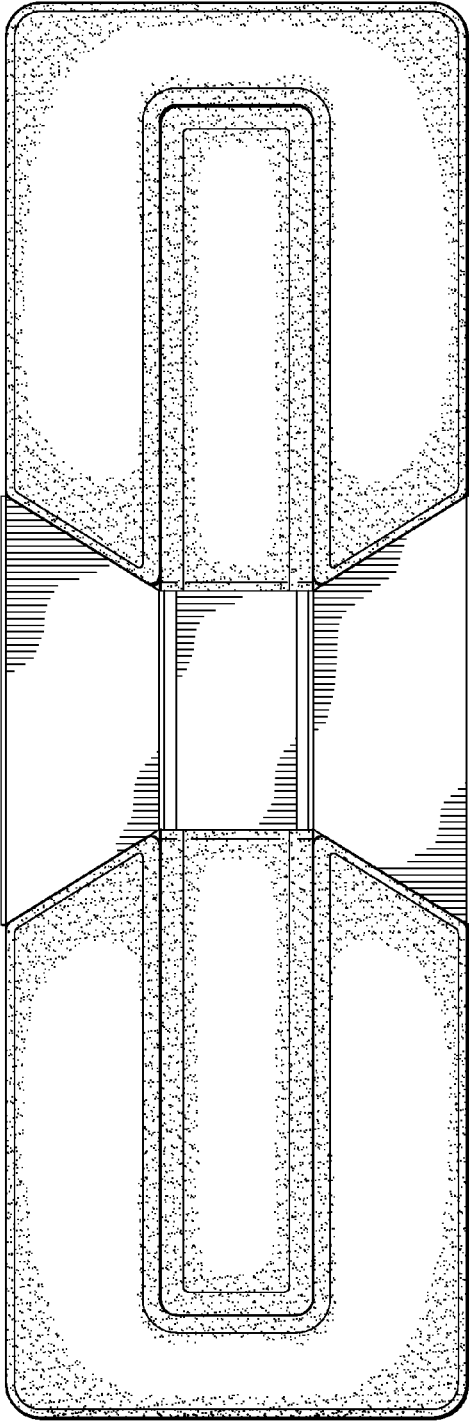
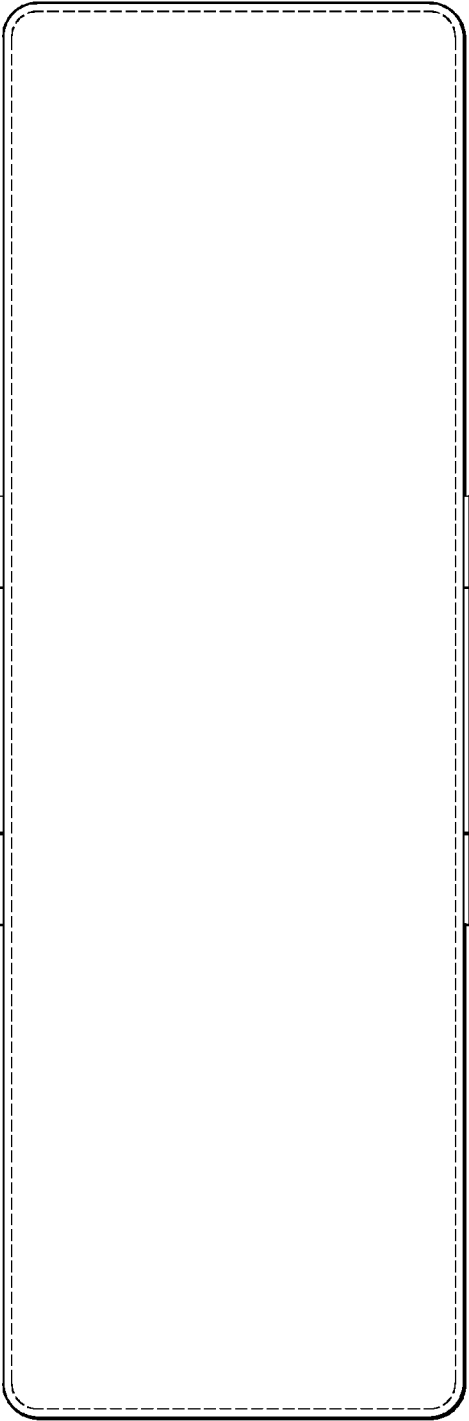


FIG. 21





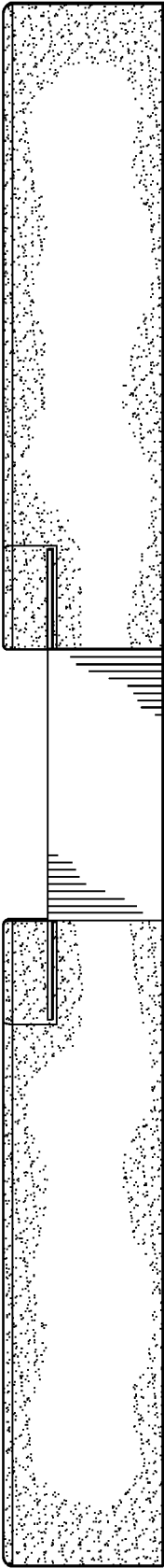


FIG. 22

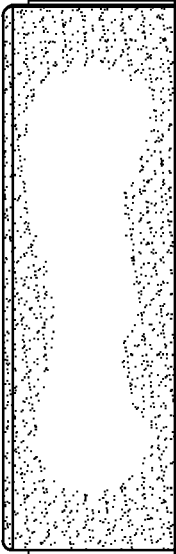


FIG. 23

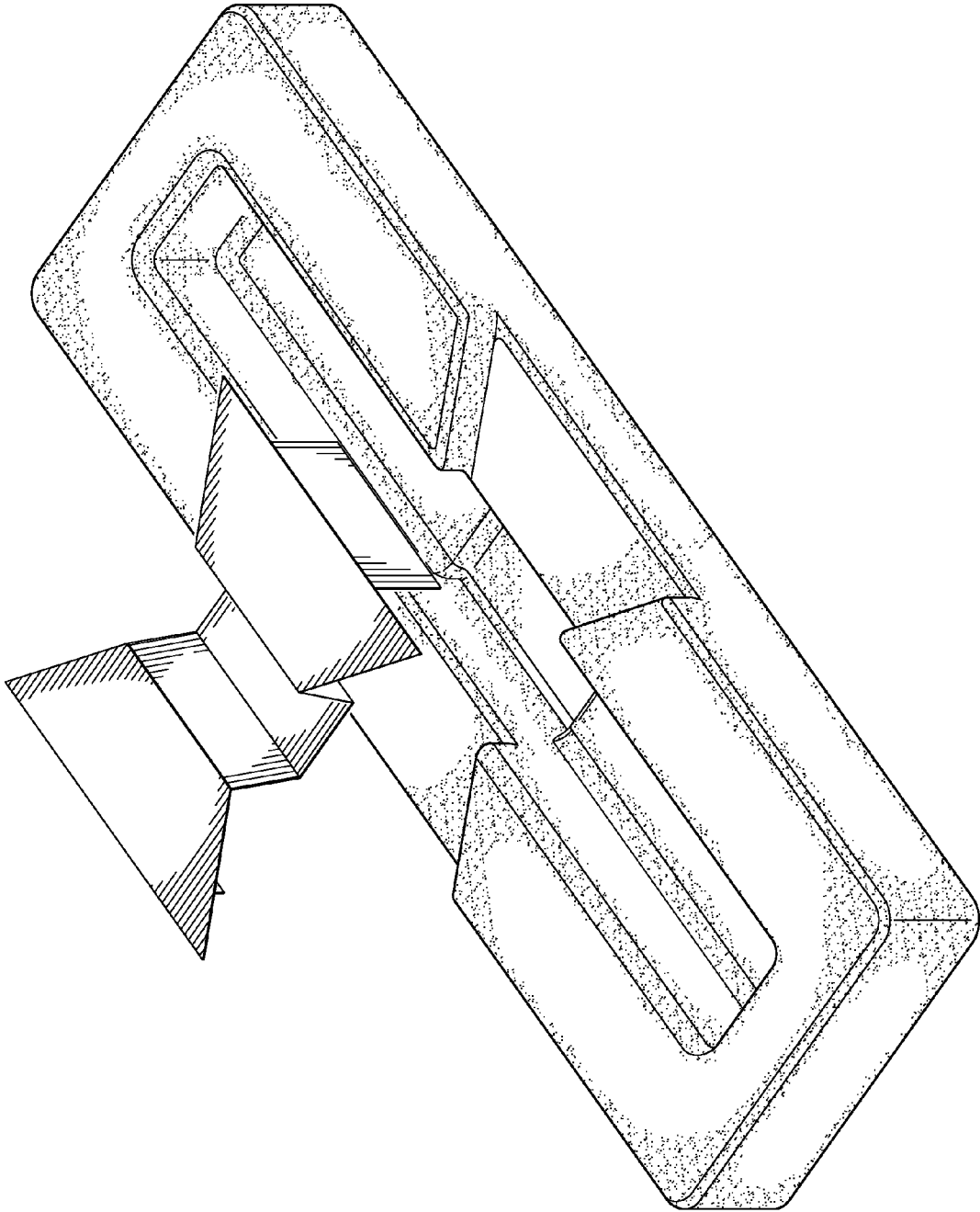


FIG. 24