



(12) **United States Design Patent**  
**Doster**

(10) **Patent No.:** **US D630,096 S**  
(45) **Date of Patent:** **\*\* Jan. 4, 2011**

- (54) **PYROPHORIC LIGHTER TRAY**
- (75) Inventor: **Gary A. Doster**, Orchard Park, NY (US)
- (73) Assignee: **Zippo Manufacturing Company**,  
Bradford, PA (US)
- (\*\*) Term: **14 Years**
- (21) Appl. No.: **29/319,967**
- (22) Filed: **Jun. 18, 2008**
- (51) **LOC (9) Cl.** ..... **09-07**
- (52) **U.S. Cl.** ..... **D9/456**
- (58) **Field of Classification Search** ..... D9/705,  
D9/635, 520, 517, 516, 456, 455, 454, 452,  
D9/444, 445, 438, 436, 435, 434, 433, 432,  
D9/416, 499; D26/51; 428/138; 362/101;  
229/404, 128, 110, 103.3; 220/630; 206/776,  
206/755, 754, 583, 522, 453, 390, 232  
See application file for complete search history.

5,819,942 A	10/1998	Sadow	
D460,691 S *	7/2002	Morris et al.	D9/456
6,659,271 B2	12/2003	Parsons	
6,675,973 B1	1/2004	McDonald et al.	
D523,338 S *	6/2006	Hoge et al.	D9/456
7,163,152 B2	1/2007	Osborn et al.	
D539,055 S *	3/2007	Kershaw	D6/457
D539,076 S *	3/2007	Rapaz	D7/354
D541,103 S *	4/2007	Rapaz	D7/354
D548,070 S	8/2007	Swain	
D549,590 S	8/2007	Mauerhan et al.	
D563,717 S *	3/2008	Rapaz	D7/354
D567,575 S *	4/2008	Rapaz	D7/354
D585,744 S *	2/2009	Shields	D9/455

\* cited by examiner

*Primary Examiner*—Susan Bennett Hattan  
(74) *Attorney, Agent, or Firm*—Baker & McKenzie LLP

(57) **CLAIM**

The ornamental design for a pyrophoric lighter tray, as shown and described.

(56) **References Cited**

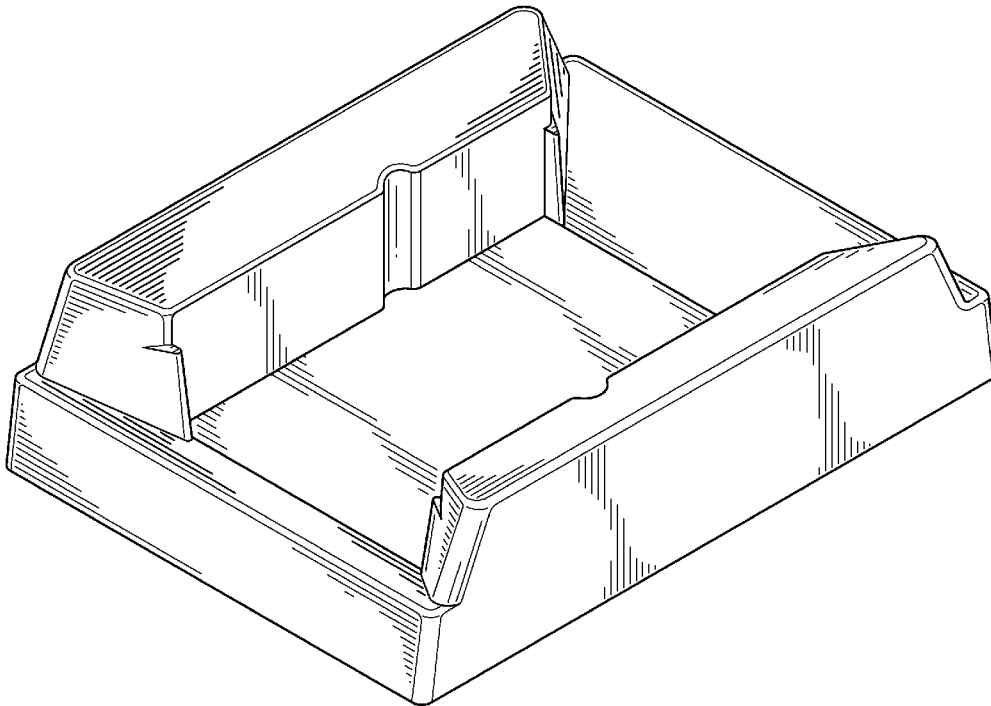
**U.S. PATENT DOCUMENTS**

1,666,001 A	4/1928	Catala	
D103,562 S *	3/1937	Cook	D9/455
2,657,793 A	11/1953	Goldshine	
2,932,439 A	4/1960	Sparling	
4,320,829 A	3/1982	DiMarzio et al.	
D312,895 S *	12/1990	Goetz	D30/129
5,024,328 A	6/1991	Bontrager	
D331,538 S *	12/1992	Fabre	D9/455
5,197,599 A	3/1993	Dolan	
D340,761 S *	10/1993	Long	D23/206

**DESCRIPTION**

- FIG. 1 top view of a pyrophoric lighter tray.
- FIG. 2 side view of FIG. 1.
- FIG. 3 end view of FIG. 1.
- FIG. 4 bottom view of FIG. 1.
- FIG. 5 cross section of FIG. 1. along the lines 5—5.
- FIG. 6 cross section of FIG. 1. along the lines 6—6; and,
- FIG. 7 perspective view of a pyrophoric lighter tray.

**1 Claim, 4 Drawing Sheets**



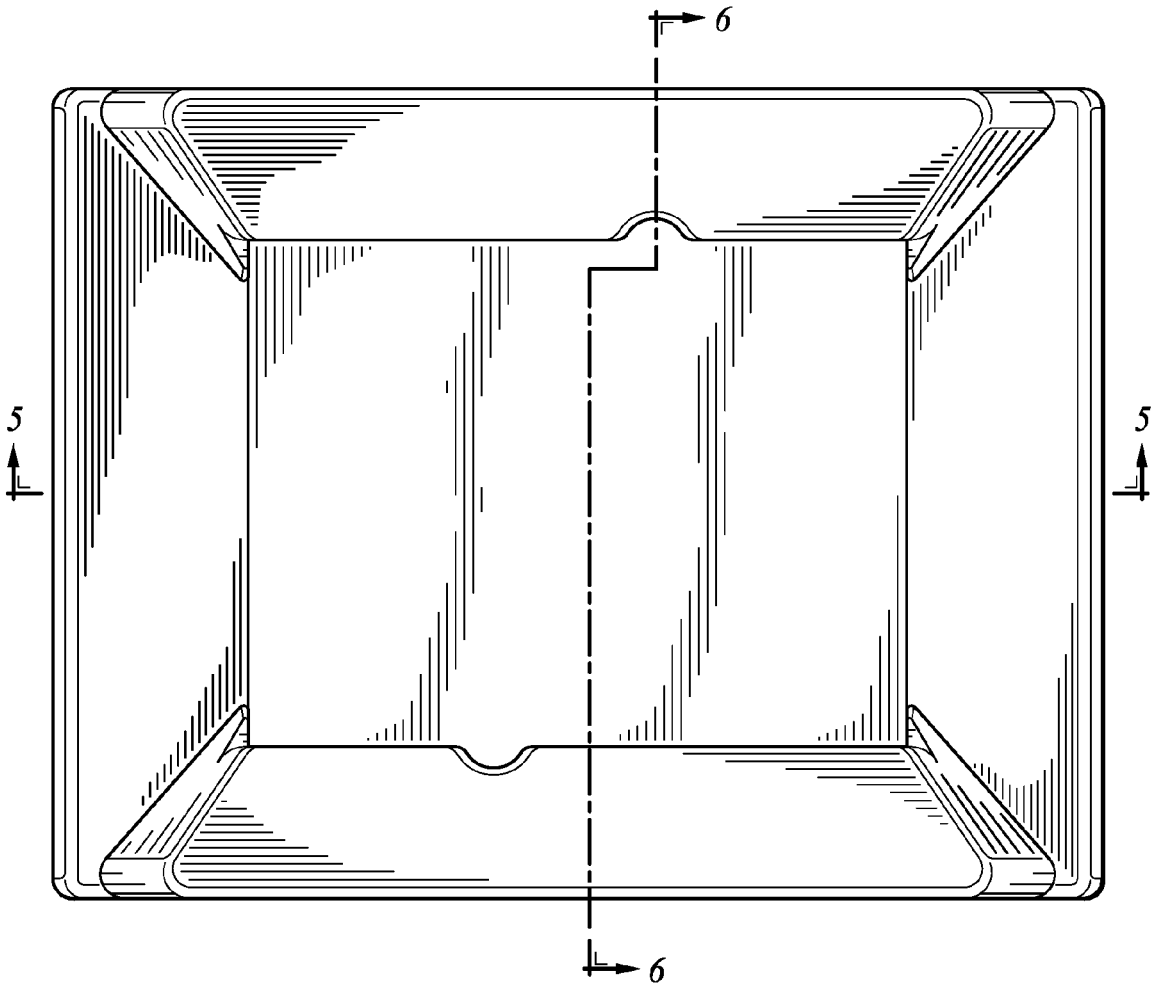


FIG. 1



FIG. 2

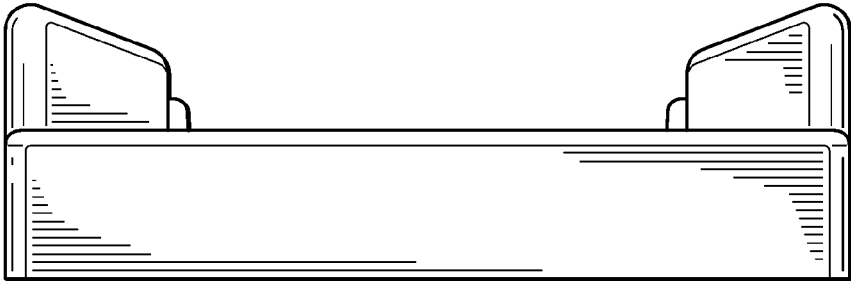


FIG. 3

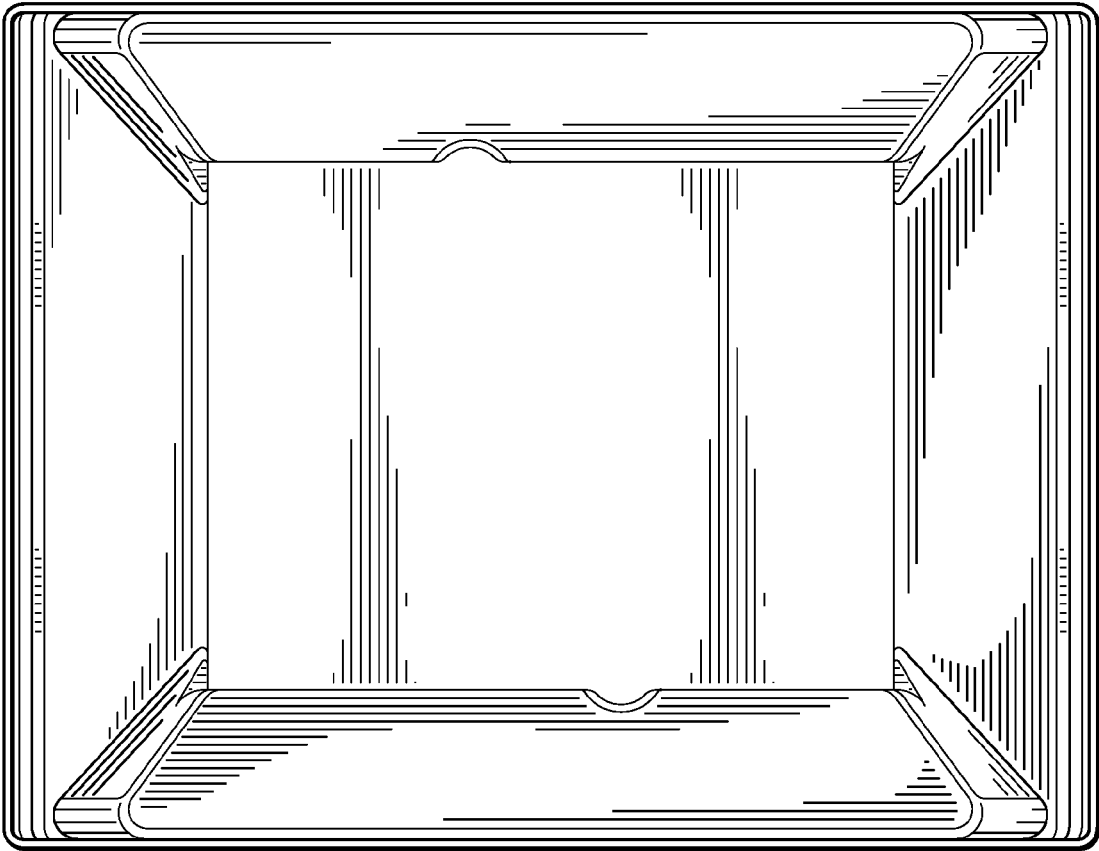


FIG. 4

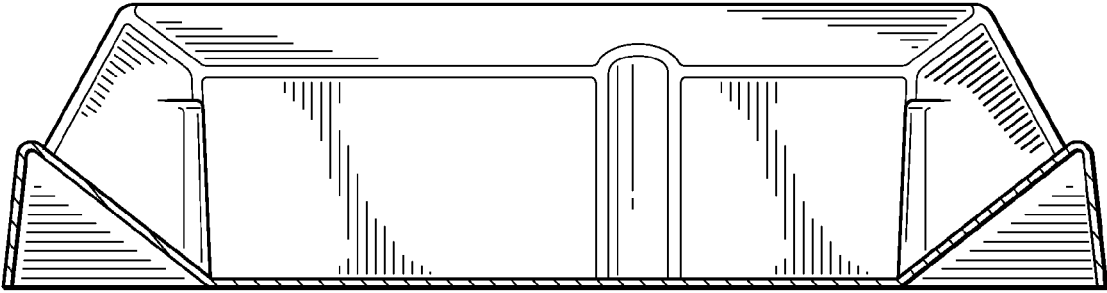


FIG. 5

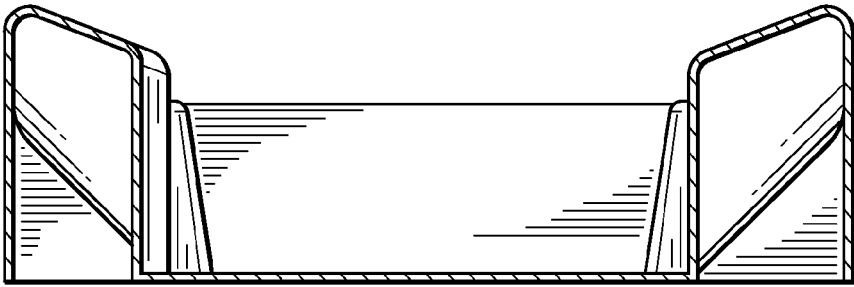


FIG. 6

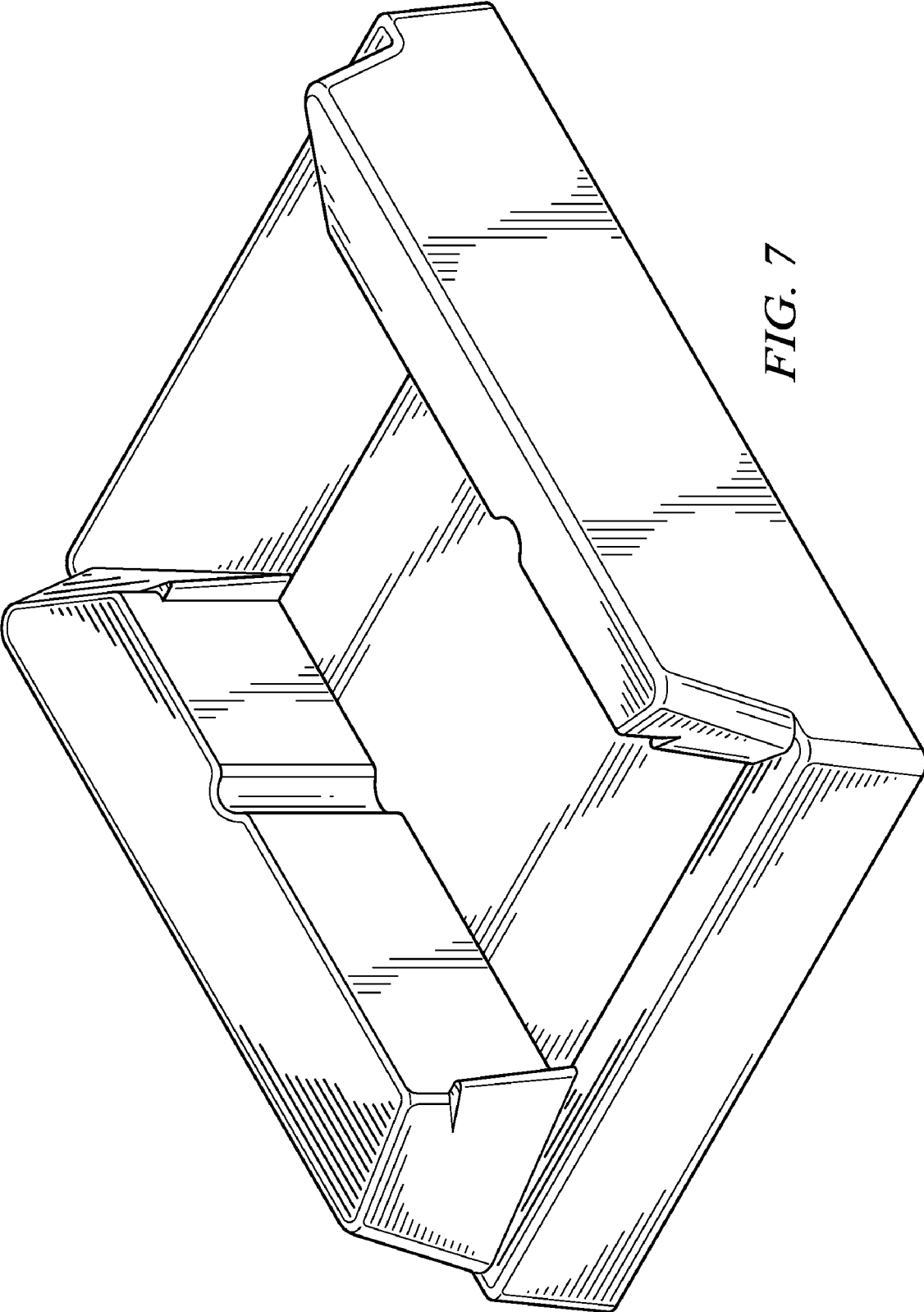


FIG. 7