



US00D615402S

(12) **United States Design Patent**  
**Doster**

(10) **Patent No.:** **US D615,402 S**

(45) **Date of Patent:** **\*\* May 11, 2010**

(54) **I-CARD**

(75) Inventor: **Gary A. Doster**, Orchard Park, NY (US)

(73) Assignee: **Zippo Manufacturing Company**,  
Bradford, PA (US)

(\*\*) Term: **14 Years**

(21) Appl. No.: **29/331,831**

(22) Filed: **Feb. 2, 2009**

(51) **LOC (9) Cl.** ..... **09-03**

(52) **U.S. Cl.** ..... **D9/457; D20/22; D9/415**

(58) **Field of Classification Search** ..... D9/624,  
D9/457, 456, 447, 446, 435, 434, 433, 432,  
D9/425, 424, 418, 415, 414; D7/392, 392.1;  
D3/201; D20/28, 22; 229/313, 225, 222,  
229/212, 209, 208, 149; 206/728  
See application file for complete search history.

(56) **References Cited**

U.S. PATENT DOCUMENTS

D5,413 S *	12/1871	Hall	.....	D9/457
D29,593 S *	11/1898	Datz	.....	D9/433
D29,644 S *	11/1898	Davidson	.....	D9/433
1,666,001 A	4/1928	Catala		
2,657,793 A	11/1953	Goldshine		
2,932,439 A	4/1960	Sparling		
4,320,829 A	3/1982	DiMarzio et al.		
D264,817 S *	6/1982	Austin	.....	D9/433
5,024,328 A	6/1991	Bontrager		
5,197,599 A	3/1993	Dolan		
D364,922 S *	12/1995	Bierman	.....	D24/128
D379,513 S *	5/1997	Ierulli	.....	D24/135

5,819,942 A	10/1998	Sadow		
6,065,470 A *	5/2000	Van Cromvoirt et al.	.....	128/200.24
D447,054 S *	8/2001	Hill	.....	D9/434
D451,016 S *	11/2001	Dittmar	.....	D9/415
6,659,271 B2	12/2003	Parsons		
6,675,973 B1	1/2004	McDonald et al.		
7,163,152 B2	1/2007	Osborn et al.		
D545,675 S *	7/2007	Liebers	.....	D9/434
D548,070 S	8/2007	Swain		
D549,590 S	8/2007	Mauerhan et al.		
7,354,421 B2 *	4/2008	Bierman	.....	604/174

\* cited by examiner

*Primary Examiner*—Susan Bennett Hattan

(74) *Attorney, Agent, or Firm*—Baker & McKenzie LLP

(57) **CLAIM**

The ornamental design for an I-card, as illustrated and described.

**DESCRIPTION**

FIG. 1 is a perspective view of the I-card in accordance with my design shown in a flat position;

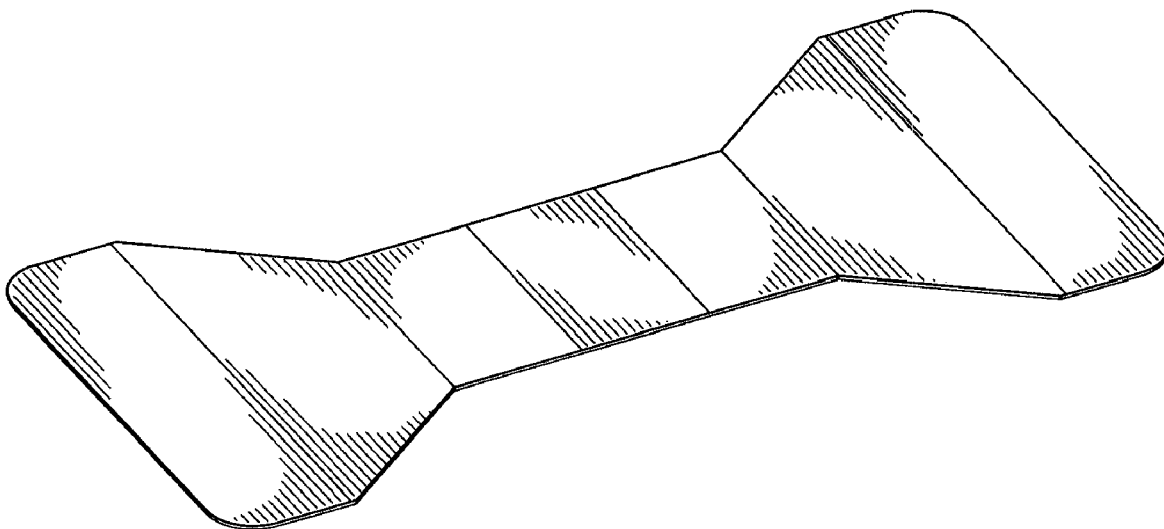
FIG. 2 is a top view of the I-card shown in FIG. 1; the opposite view being a mirror image thereof;

FIG. 3 is a front view of the I-card shown in FIGS. 1–2; the opposite view being a mirror image thereof;

FIG. 4 is a side view of the I-card shown in FIGS. 1–3; the opposite view being a mirror image thereof; and,

FIG. 5 is a perspective view of the I-card shown in FIGS. 1–4 shown in a folded position.

**1 Claim, 2 Drawing Sheets**



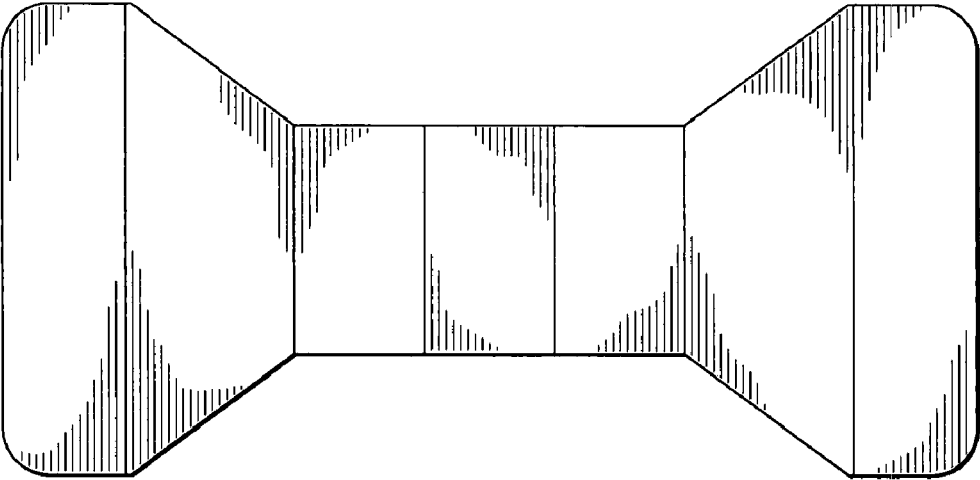
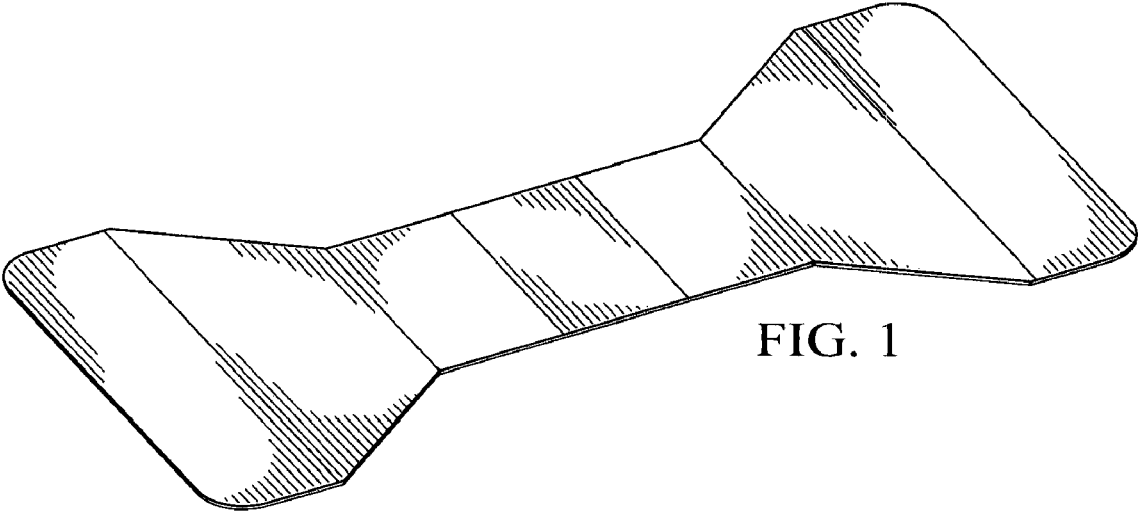




FIG. 3



FIG. 4

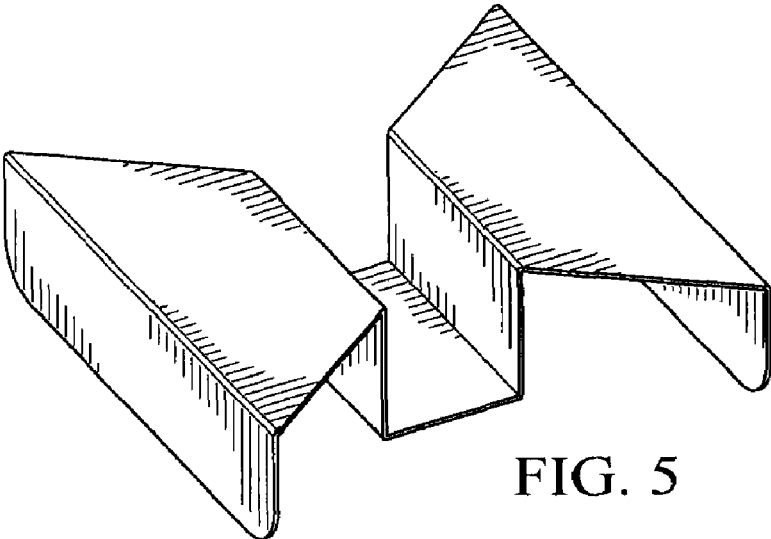


FIG. 5