



US00D614489S

(12) **United States Design Patent**
Doster

(10) **Patent No.:** **US D614,489 S**

(45) **Date of Patent:** **** Apr. 27, 2010**

- (54) **CARD TO CONTAIN A PYROPHORIC LIGHTER**
- (75) Inventor: **Gary A. Doster**, Orchard Park, NY (US)
- (73) Assignee: **Zippo Manufacturing Company**, Bradford, PA (US)
- (**) Term: **14 Years**
- (21) Appl. No.: **29/319,973**
- (22) Filed: **Jun. 18, 2008**

- (51) **LOC (9) Cl.** **09-07**
- (52) **U.S. Cl.** **D9/456**
- (58) **Field of Classification Search** D9/705, D9/635, 520, 517, 516, 456, 455, 454, 452, D9/444, 445, 438, 436, 435, 434, 433, 432, D9/416, 499; D26/51; 428/138; 362/101; 229/404, 128, 110, 103.3; 220/630; 206/776, 206/755, 754, 583, 522, 453, 390, 232
See application file for complete search history.

(56) **References Cited**

U.S. PATENT DOCUMENTS

- 1,666,001 A 4/1928 Catala
- D103,562 S * 3/1937 Cook D9/455
- 2,657,793 A 11/1953 Goldshine
- 2,932,439 A 4/1960 Sparling
- 4,320,829 A 3/1982 DiMarzio et al.
- D312,895 S * 12/1990 Goetz D30/129
- 5,024,328 A 6/1991 Bontrager

- D331,538 S * 12/1992 Fabre D9/455
- 5,197,599 A 3/1993 Dolan
- D340,761 S * 10/1993 Long D23/206
- 5,819,942 A 10/1998 Sadow
- D460,691 S * 7/2002 Morris et al. D9/456
- 6,659,271 B2 12/2003 Parsons
- 6,675,973 B1 1/2004 McDonald et al.
- D523,338 S * 6/2006 Hoge et al. D9/456
- 7,163,152 B2 1/2007 Osborn et al.
- D539,055 S * 3/2007 Kershaw D6/457
- D539,076 S * 3/2007 Rapaz D7/354
- D541,103 S * 4/2007 Rapaz D7/354
- D548,070 S 8/2007 Swain
- D549,590 S 8/2007 Mauerhan et al.
- D563,717 S * 3/2008 Rapaz D7/354
- D567,575 S * 4/2008 Rapaz D7/354
- D585,744 S * 2/2009 Shields D9/455

* cited by examiner

Primary Examiner—Susan Bennett Hattan
(74) *Attorney, Agent, or Firm*—Baker & McKenzie LLP

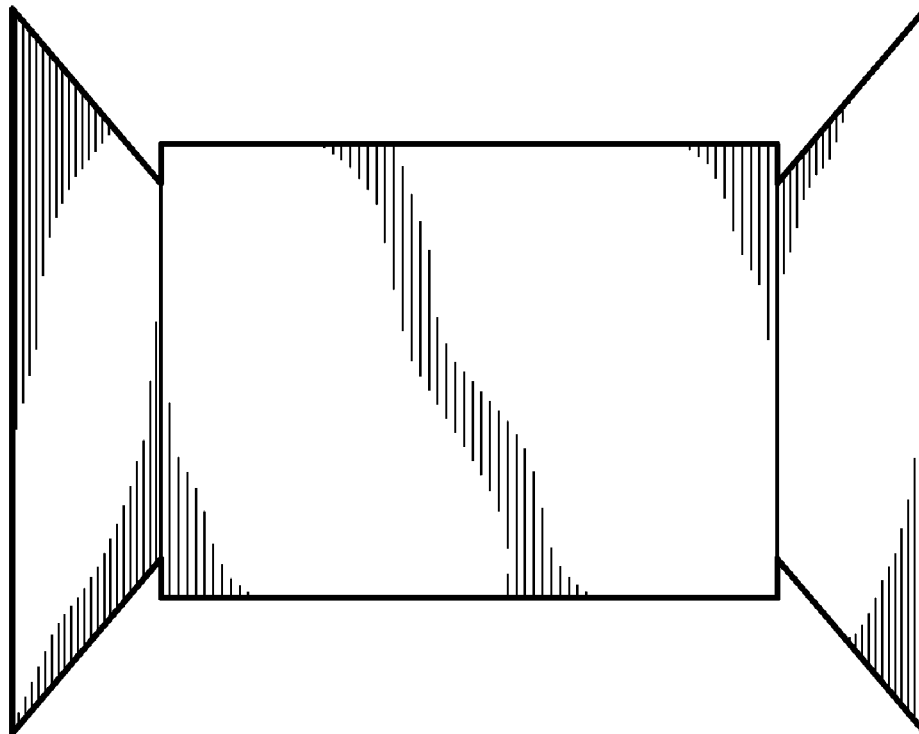
(57) **CLAIM**

The ornamental design for a card to contain a pyrophoric lighter, as shown and described.

DESCRIPTION

- FIG. 1 top view of a card to contain a pyrophoric lighter.
- FIG. 2 side view of FIG. 1.
- FIG. 3 end view of FIG. 1; and,
- FIG. 4 bottom view of FIG. 1.

1 Claim, 1 Drawing Sheet



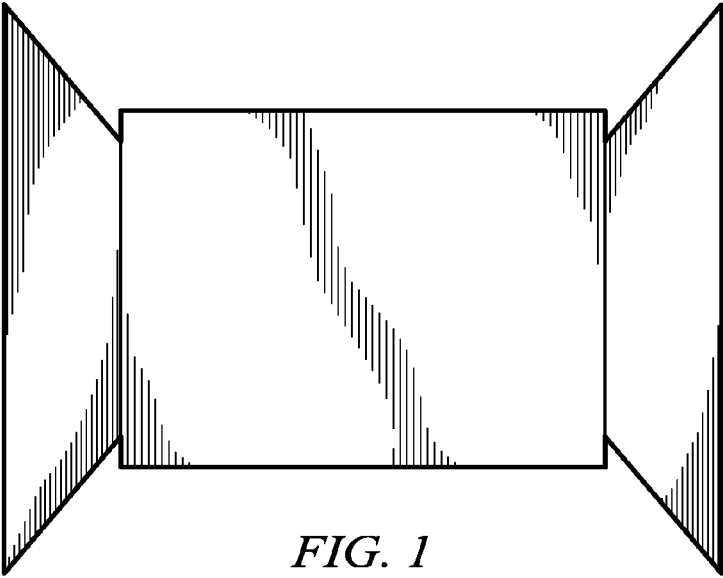


FIG. 1



FIG. 2



FIG. 3

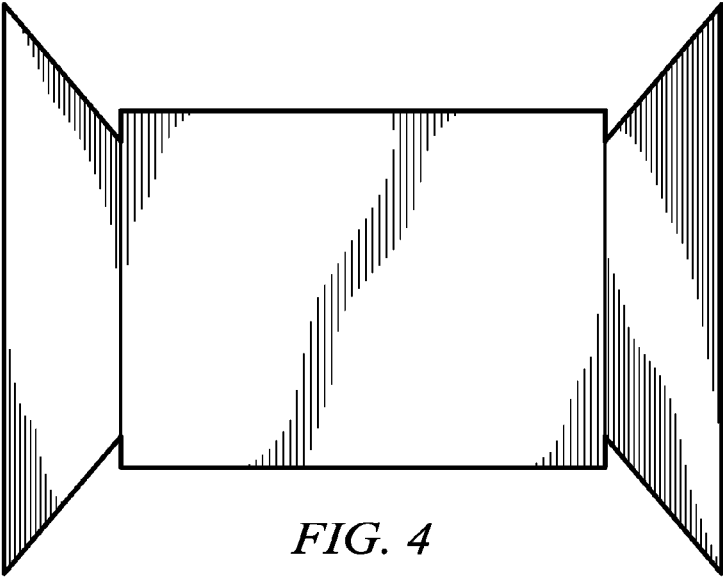


FIG. 4