



US006726470B1

(12) **United States Patent**
Meister

(10) **Patent No.:** **US 6,726,470 B1**
(45) **Date of Patent:** **Apr. 27, 2004**

(54) **DISPOSABLE LIQUID FUEL CELLS FOR WINDPROOF LIGHTERS**

2,517,191 A 8/1950 Flickinger et al.
2,692,492 A * 10/1954 Hepburn 431/143
2,957,328 A * 10/1960 Gellman 431/130

(75) Inventor: **Ronald J. Meister**, Bradford, PA (US)

FOREIGN PATENT DOCUMENTS

(73) Assignee: **Zippo Manufacturing Company**, Bradford, PA (US)

DE 2557115 * 6/1976 431/255

* cited by examiner

(*) Notice: Subject to any disclaimer, the term of this patent is extended or adjusted under 35 U.S.C. 154(b) by 0 days.

Primary Examiner—James C. Yeung
(74) *Attorney, Agent, or Firm*—Hodgson Russ LLP

(57) **ABSTRACT**

(21) Appl. No.: **10/315,868**

A windproof lighter is provided having an inside unit and an exterior case. The inside unit has an interior chamber, a wick, a flint, a flint position apparatus positioned in the interior chamber, a flint wheel, and a chimney. The lighter has a disposable fuel cell containing lighter fuel. The fuel cell is designed to fit within the interior chamber and to not interfere with the flint position apparatus. When the container is to be used in a windproof lighter, it has an opening that receives the wick. The wick extends into the interior chamber and has a component that is larger than the opening so that when the container is properly positioned within the interior chamber, the component secures the container in position and prevents accidental spillage of the lighter fuel.

(22) Filed: **Dec. 10, 2002**

(51) **Int. Cl.**⁷ **F23D 11/36**

(52) **U.S. Cl.** **431/154; 431/143; 431/323; 431/130**

(58) **Field of Search** 431/130, 143, 431/133, 255, 136, 323, 324, 320, 153, 154

(56) **References Cited**

U.S. PATENT DOCUMENTS

2,032,695 A 3/1936 Gimera et al.
2,441,242 A * 5/1948 Harkins 431/154

16 Claims, 4 Drawing Sheets

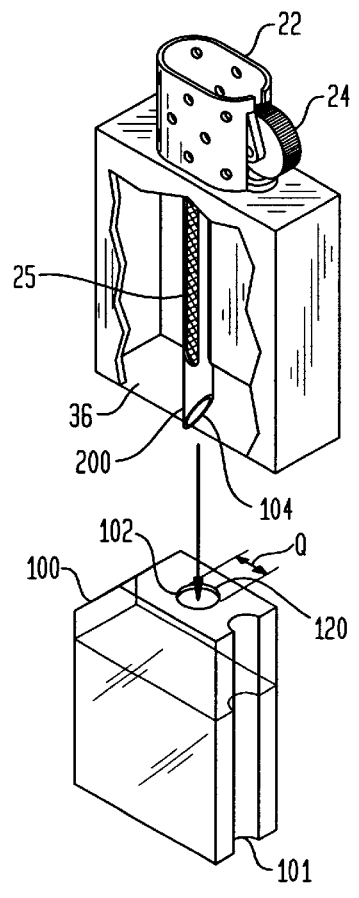


FIG. 1
(PRIOR ART)

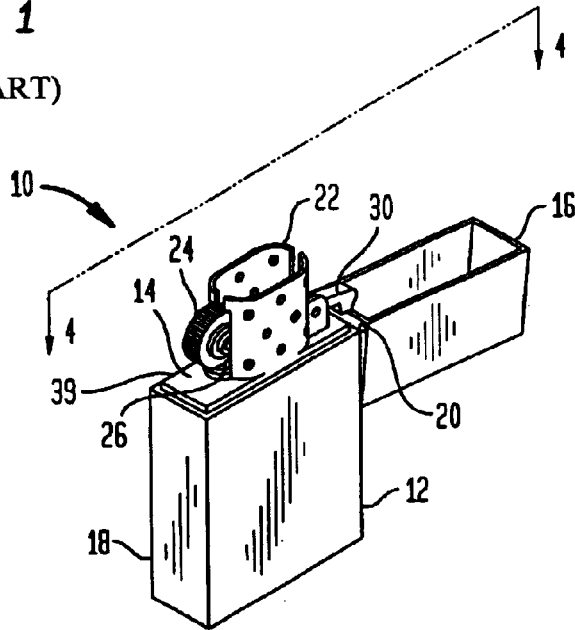


FIG. 2 (PRIOR ART)

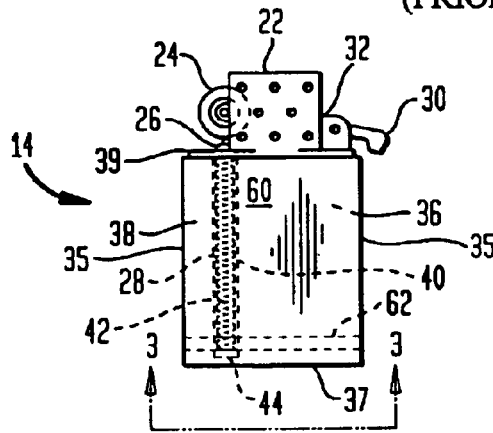
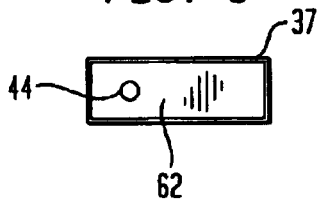
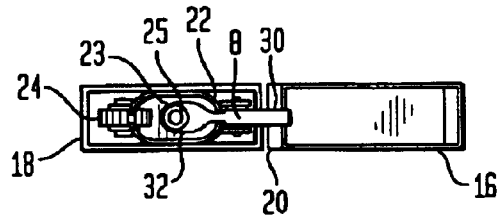


FIG. 3



(PRIOR ART)

FIG. 4



(PRIOR ART)

FIG. 5

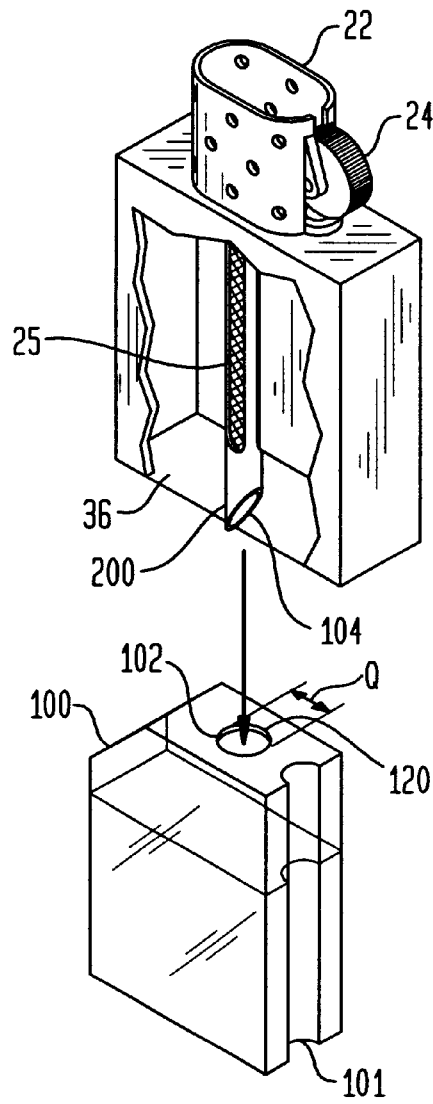
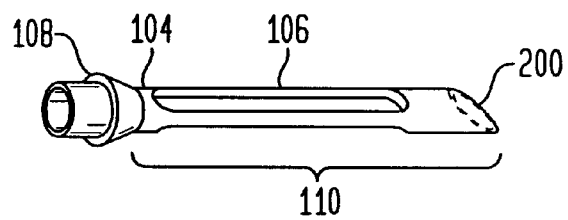


FIG. 6



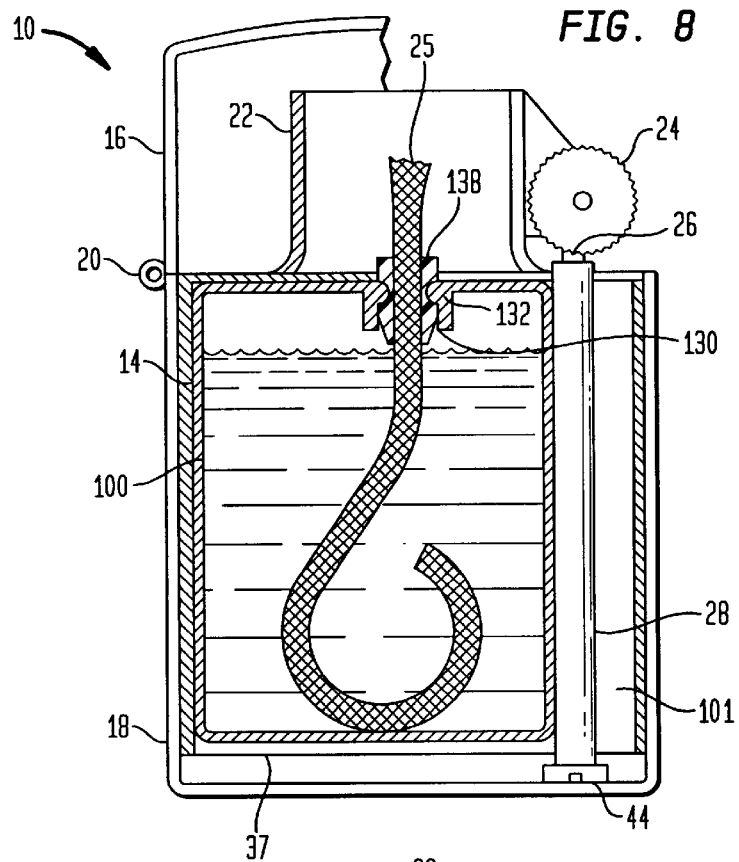
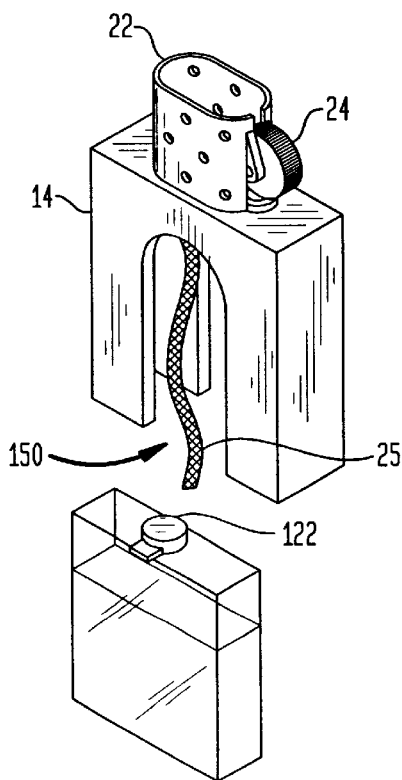


FIG. 9



DISPOSABLE LIQUID FUEL CELLS FOR WINDPROOF LIGHTERS

FIELD OF THE INVENTION

The present invention relates to a windproof lighter, and specifically to the type including liquid fuel, a wick, a strike-wheel, and a flint.

BACKGROUND OF THE INVENTION

Windproof lighters are disclosed in U.S. Pat. No. 2,517,191 to Flickinger et al. and U.S. Pat. No. 2,032,695 to Gimera et al., which are incorporated by reference in this application.

A windproof lighter **10**, as shown in FIG. 1, has a case **12** and an inside unit **14**. The case **12** has a top section **16** and a bottom section **18** connected together by a hinge **20**. The inside unit **14** is removably secured, preferably snugly fit, within the bottom section **18**.

Turning to FIG. 2, the inside unit **14** has an interior chamber **36** and an exterior surface **38**. On the exterior surface **38** and the side **39** that projects beyond the bottom section **18** when the inside unit **14** is within the bottom section **18**, is, as shown at FIGS. 2 and 4, a chimney **22**, a wick opening **23** within the chimney **22**, a wick **25**, a flint wheel **24** connected to the chimney **22**, a flint **26** designed to be positioned below and contacting the flint wheel **24**, a tang **30** connected to the chimney **22**, and a second resilient member **32** for controlling the position of the tang **30**, which assists in the positioning of the top section **16**.

The exterior surface **38** also has side walls **35** that contact corresponding side walls of the bottom section **18**, and an opening **37** that is positioned opposite the chimney **22** and allows a user to refill the lighter **10** with lighter fuel, not shown. The interior chamber **36** has a flint position apparatus **28** having a resilient member **42** contained within a tube **40** and a set screw **44**. The set screw **44** allows the user to apply sufficient force through the resilient member **42** to the flint **26** so the flint **26** contacts the flint wheel **24**.

The interior chamber also has packing material **60** that is designed to contain lighter fuel, and a felt pad **62** positioned at the opening **37**, as shown in FIG. 3, between the packing material **60** and the bottom section **18**. The felt pad **62** is secured into position by the set screw **44**.

The interior chamber also has a wick **25** positioned within the packing material **60**, and extending through the wick opening **23**.

Windproof lighter **10** operates with lighter fuel and is refillable. The instructions for refilling lighters typically call for (1) removing the inside unit from the case; (2) lifting the corner of the felt pad on the bottom of the insert to reveal the packing material in a fuel chamber, which is the interior of the inside unit; and (3) saturating the packing with lighter fluid by filling it slowly so the inside unit is not overfilled; and (4) inserting the inside unit back into the case; and (5) wiping the lighter and the user's hands dry before igniting the lighter.

Some lighters have permanent inside units with refill ports on the bottom or on the side of the lighter for refilling the liquid fuel reservoir in the inside unit. These designs have special refilling instructions as well.

Accordingly, there is a need for an easy and reliable way to refill windproof lighters.

SUMMARY OF THE INVENTION

The present invention meets the above-described need by providing a disposable liquid fuel cell. The fuel cell is

designed to fit within the interior chamber and to not interfere with the flint position apparatus, and the fuel cell has an opening that receives the wick. The wick extends into the interior chamber and has a component that is larger than the opening so that when the fuel cell is properly positioned within the interior chamber, the component secures the fuel cell in position and prevents accidental spillage of the lighter fuel.

BRIEF DESCRIPTION OF THE DRAWINGS

FIG. 1 illustrates a prior art windproof lighter.

FIG. 2 illustrates a prior art inside unit of a lighter.

FIG. 3 is a view of FIG. 2 taken along the lines of 3—3.

FIG. 4 is a view of FIG. 1 taken along the lines of 4—4.

FIG. 5 is an exploded view of the present invention.

FIG. 6 is a view of the wick tube of FIG. 5.

FIG. 7 illustrates the inside unit of the present invention, without the tang and corresponding resilient member on the exterior surface of the inside unit.

FIG. 8 illustrates an alternative embodiment of FIG. 7.

FIG. 9 illustrates an exploded view of an alternative embodiment of the invention.

DETAILED DESCRIPTION OF THE INVENTION

Referring to FIGS. 5–9, the cell **100**, as shown in FIG. 5, is molded from a plastic material, preferably transparent or translucent material so the fuel volume can be seen, and has perimeter shape that fits, preferably snugly, within the interior chamber **36** and has a space **101** for the first resilient member **28**, and a user's fingers to pull the cell **100** out of the inside unit **14**. The cell **100** replaces the packing material and the felt pad of the prior art design.

In one embodiment, the cell **100** has a rupture disc **102** having a rim **120** which has an opening size of Q. The rupture disc **102** is positioned to be punctured by a rigid wick tube **104**, which extends below the wick opening **23** and has a splash cut or equivalent ending **200** that can penetrate the rupture disc **102** with the user's applied force to both the cell **100** and the inside unit **14**.

As shown in FIG. 6, the rigid wick tube **104** incorporates slots or perforations **106** along its sides to allow the fuel access the wick **25**, which is contained in the tube **104**. The wick tube **104** has a lip **108** near, and not at, the top of the wick tube **104**. The lip **108**, as shown in FIG. 7, has a perimeter D which is larger than (a) the bottom portion **110** of the wick tube **104**, and (b) the opening size of Q to effect a seal with the rim **120** when the cell **100** is positioned in the inside unit **14**. In other words, the lip **108** snaps in place under the rim **120**. Once the fuel cell **100** is properly positioned, the wick **25** will absorb and transfer the fuel to its upper extremity for ignition.

In an alternative embodiment that is shown in FIG. 8, the cell **100** has an aperture **130** with a neck **132** therein. The neck **132** is like an o-ring type seal. The neck **132** mates with the groove in a wick bushing **138** that holds the wick **25** in place. Once the aperture **130** exposed, the wick **25** will be fed into the aperture **130**. The cell **100** is then snapped in place onto the wick bushing **138** as illustrated in FIG. 8.

As shown in FIG. 9, the inside unit **14** has at least one, and possibly two, openings **150** that allow a user to view the quantity of fuel in the cell **100** and allow the cell **100** to be easily removed therefrom. When the cell **100** is not being used in the lighter **10**, the aperture **130** is covered by a

snap-on cap, a seal, or a plug **122** (a removable seal), as shown in FIG. **9** or by a rupture disc as shown in FIG. **5**.

Accordingly, this invention is directed to a remodeling of the inside unit **14** to avoid (1) overfilling the packing material which could lead to leakage of the lighter fuel, (2) inconsistency in the manner in which the packing material is inserted into the inside unit which creates variations of lighter fuel storage from one lighter to the next, and (3) underfilling the packing material to prevent leakage. In addition, the present invention will allow the user to know how much lighter fuel is in the lighter, easily carry extra lighter fuel, and maximize the amount of lighter fuel. The last item is an issue because in the reservoir the prior lighters use packing material and the packing material decreases the amount of fuel that can be stored in the inside unit.

Although variations in the embodiment of the present invention may not each realize all the advantages of the invention, certain features may become more important than others in various applications of the device. The invention, accordingly, should be understood to be limited only by the scope of the appended claims.

We claim:

1. A windproof lighter having an inside unit and a exterior case, the inside unit having side walls forming an interior chamber, a wick tube containing a wick, a flint, a flint position apparatus positioned in the interior chamber, a flint wheel, and a chimney, the inside unit having an opening disposed opposite the chimney, the lighter comprising:

a container having lighter fuel, and designed to fit within the interior chamber through the opening in the inside unit and not interfere with the flint position apparatus, the container further comprises an opening that receives the wick tube; and,

the wick tube extends into the interior chamber and has a component that is larger than the opening so that when the container is properly positioned within the interior chamber, the component is disposed inside the container and secures the container to the inside unit and prevents accidental spillage of the lighter fuel.

2. The lighter of claim **1** wherein the opening is covered by a rupture disc that is opened by a the wick tube that contains a wick within the interior chamber.

3. The lighter of claim **2** wherein the wick tube has at least one aperture to allow the lighter fuel to contact the wick.

4. The lighter of claim **2** wherein the wick tube has a lip that mates with a rim on the opening.

5. The lighter of claim **1** wherein the opening is covered by a rupture disc.

6. The lighter of claim **1** wherein the container has a space to accommodate the flint position apparatus within the interior chamber.

7. The lighter of claim **1** wherein the inside unit has at least one aperture to view the quantity of lighter fuel in the container.

8. The lighter of claim **1** wherein the container before being inserted into the lighter has a removable seal thereon.

9. A windproof lighter having an inside unit and an exterior case, the inside unit having side walls forming an interior chamber, a wick bushing containing a wick, a flint, a flint position apparatus positioned in the interior chamber, a flint wheel, and a chimney, the inside unit having an opening disposed opposite the chimney, the lighter comprising:

a container having lighter fuel, and designed to fit within the interior chamber through the opening in the inside unit and not interfere with the flint position apparatus, the container further comprises an opening that receives the wick bushing, wherein the opening has a neck that mates with a the wick bushing that positions the wick in the lighter.

10. A method of refilling a windproof lighter having an inside unit and a exterior case, and the inside unit has an interior chamber, a wick tube containing a wick, a flint, a flint position apparatus positioned in the interior chamber, a flint wheel, and a chimney, comprising:

inserting a container having lighter fuel, designed to fit within the interior chamber and not interfere with the flint position apparatus, and an opening that receives the wick tube into the interior chamber;

positioning the wick tube through the opening; and, securing the container into the interior chamber to prevent accidental spillage of the lighter fuel, the container being secured to the interior chamber by engagement of a component on the wick tube with the opening, the component being larger than the opening and being disposed inside the container upon engagement.

11. The method of claim **10** wherein the opening is covered by a rupture disc that is opened by the wick tube that contains the wick within the interior chamber.

12. The method of claim **11** wherein the wick tube has at least one aperture to allow the lighter fuel to contact the wick.

13. The method of claim **11** wherein the wick tube has a lip that mates with a rib on the aperture.

14. The method of claim **10** wherein the container has a space to accommodate the flint position apparatus within the interior chamber.

15. The method of claim **10** wherein the inside unit has at least one aperture to view the quantity of lighter fuel in the container.

16. The method of claim **10** wherein the container before being inserted into the lighter has a removable seal thereon.

* * * * *

UNITED STATES PATENT AND TRADEMARK OFFICE
CERTIFICATE OF CORRECTION

PATENT NO. : 6,726,470 B1
DATED : April 27, 2004
INVENTOR(S) : Ronald J. Meister

Page 1 of 1

It is certified that error appears in the above-identified patent and that said Letters Patent is hereby corrected as shown below:

Column 3,


Line 44, "by a the wick" should read -- by the wick --; and

Column 4,

Line 6, "with a the wick" should read -- with the wick --.

Signed and Sealed this

First Day of February, 2005

A handwritten signature in black ink on a light gray dotted background. The signature reads "Jon W. Dudas" in a cursive style. The "J" is large and loops around the "on". The "W" is written with two distinct peaks. The "Dudas" part is written in a fluid, connected cursive script.

JON W. DUDAS

Director of the United States Patent and Trademark Office