



US00D461366S

(12) **United States Design Patent**  
**Dijkstra**

(10) **Patent No.: US D461,366 S**

(45) **Date of Patent: \*\* \*Aug. 13, 2002**

(54) **UTILITY LIGHTER**

(75) **Inventor: Tjeerd Dijkstra, Leiderdorp (NL)**

(73) **Assignee: Zippo Manufacturing Company, Bradford, PA (US)**

(\*) **Notice:** This patent is subject to a terminal disclaimer.

(\*\*) **Term: 14 Years**

(21) **Appl. No.: 29/145,698**

(22) **Filed: Jul. 27, 2001**

(51) **LOC (7) Cl. .... 07-99**

(52) **U.S. Cl. .... D7/416**

(58) **Field of Search** ..... D7/416, 417; 431/254; 126/25 B, 409; 417/411; D3/208; D27/154, 131, 139, 141, 148

(56) **References Cited**

**U.S. PATENT DOCUMENTS**

D211,399 S \* 6/1968 Martin ..... D3/208

4,502,465 A \* 3/1985 Yoshinaga et al. .... 126/409  
D282,566 S \* 2/1986 Cragun ..... D7/416  
4,810,173 A \* 3/1989 Thomson et al. .... 417/411  
D352,638 S \* 11/1994 Hsu ..... D7/416  
D390,750 S \* 2/1998 Sung ..... D7/416  
D424,373 S \* 5/2000 Aronson, II ..... D7/416

\* cited by examiner

*Primary Examiner*—M. N. Pandozzi

(74) *Attorney, Agent, or Firm*—Hodgson Russ LLP

(57) **CLAIM**

The ornamental design for a utility lighter, as shown.

**DESCRIPTION**

FIG. 1 is an isometric front view of the utility lighter of the present invention;

FIG. 2 is a top view of the utility lighter of FIG. 1;

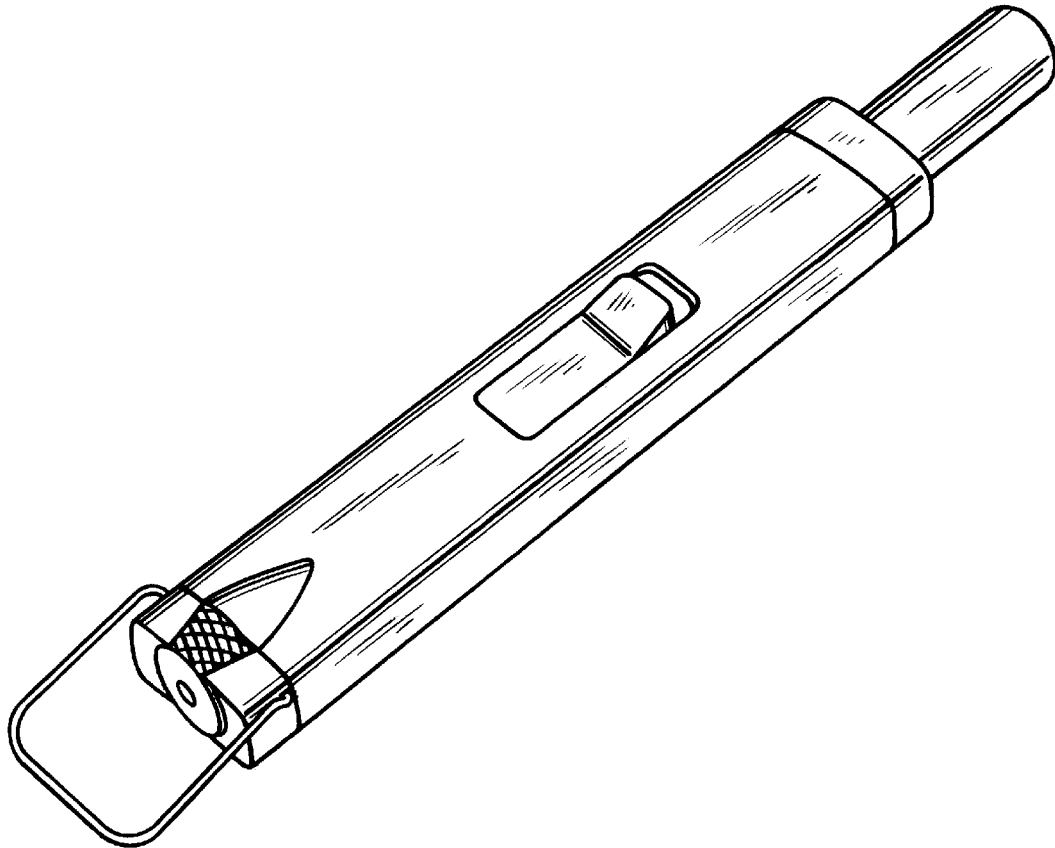
FIG. 3 is a side view of the longitudinal side of the utility lighter of FIG. 1;

FIG. 4 is a bottom view of the utility lighter of FIG. 1;

FIG. 5 is a rear end view of the utility lighter of FIG. 1; and,

FIG. 6 is a front end view of the utility lighter of FIG. 1.

**1 Claim, 2 Drawing Sheets**



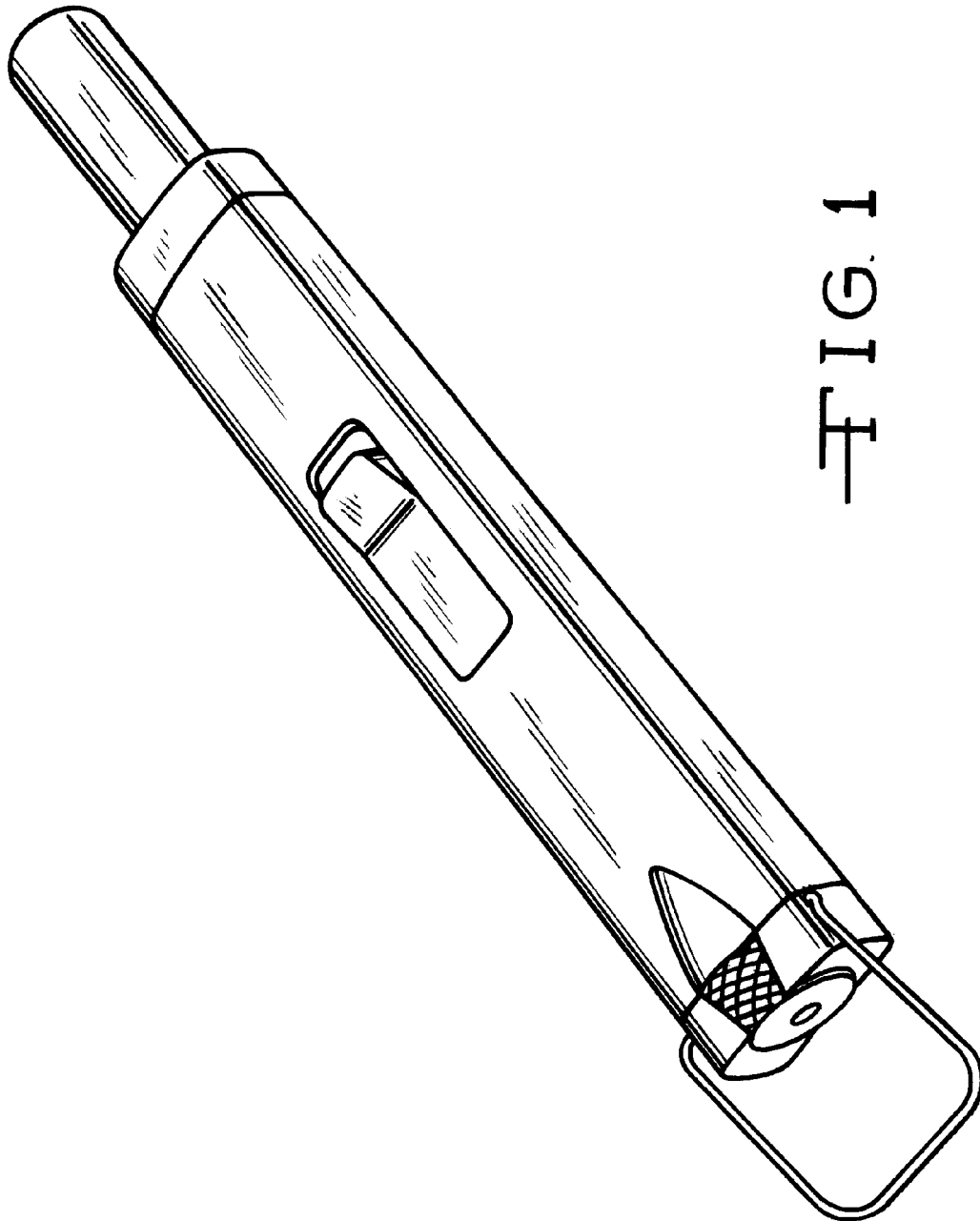


FIG. 1



FIG. 3

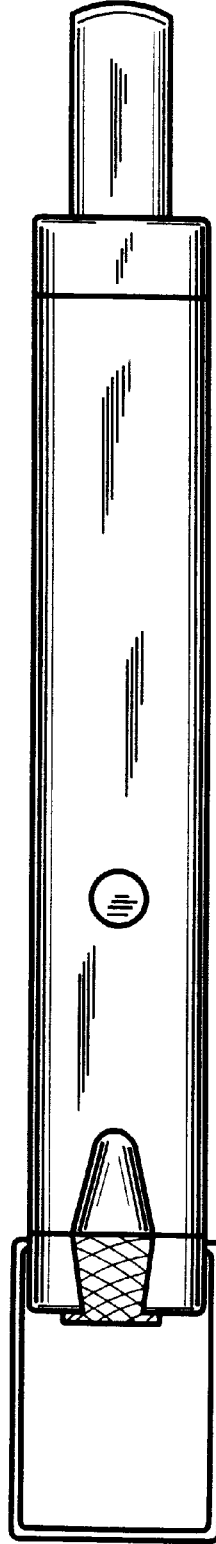


FIG. 4

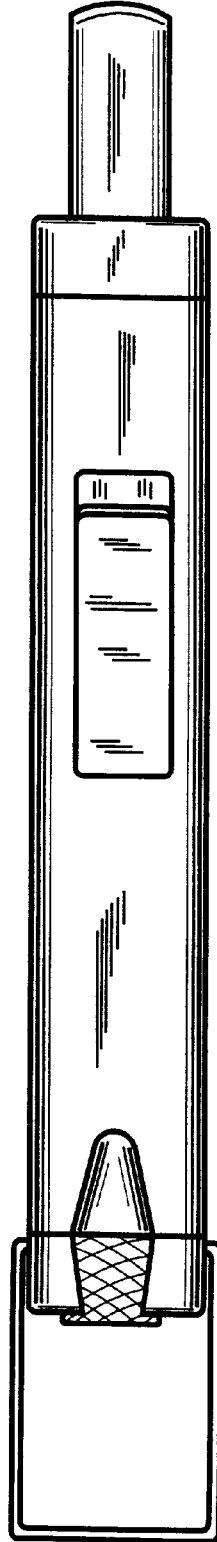


FIG. 2



FIG. 5

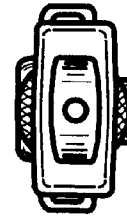


FIG. 6