

Feb. 24, 1970

H. D. YATES

3,496,590

UTILITY POCKET-PIECE FOR GOLFERS

Filed Oct. 10, 1967

2 Sheets-Sheet 1

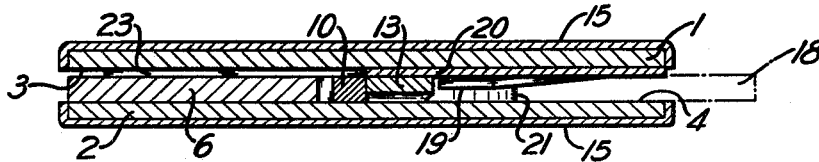
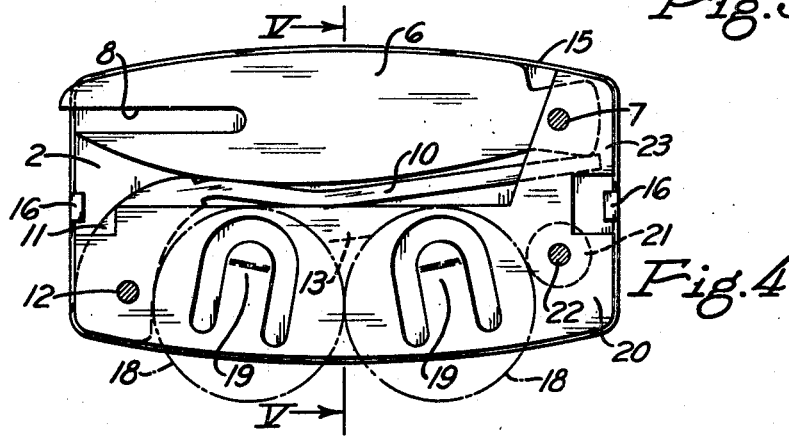
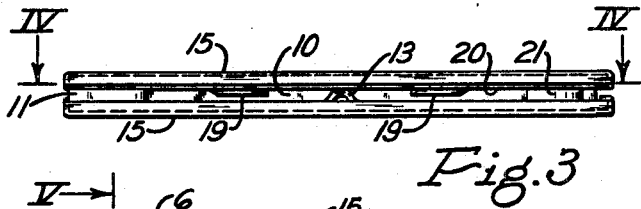
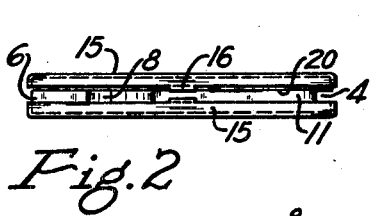
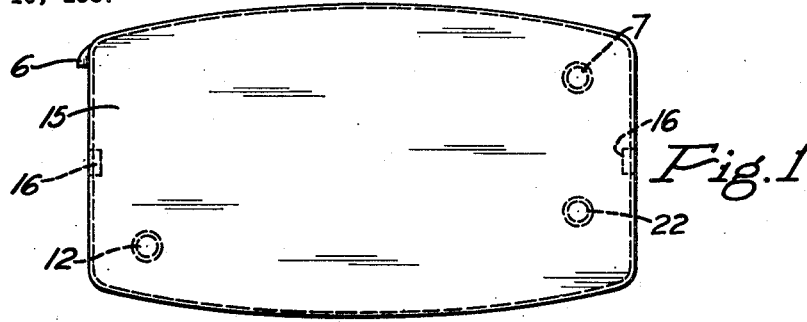


Fig. 5

INVENTOR.

HOWARD D. YATES

BY

Brown, Critchlow, Flick & Peckham
ATTORNEYS.

Feb. 24, 1970

H. D. YATES

3,496,590

UTILITY POCKET-PIECE FOR GOLFERS

Filed Oct. 10, 1967

2 Sheets-Sheet 2

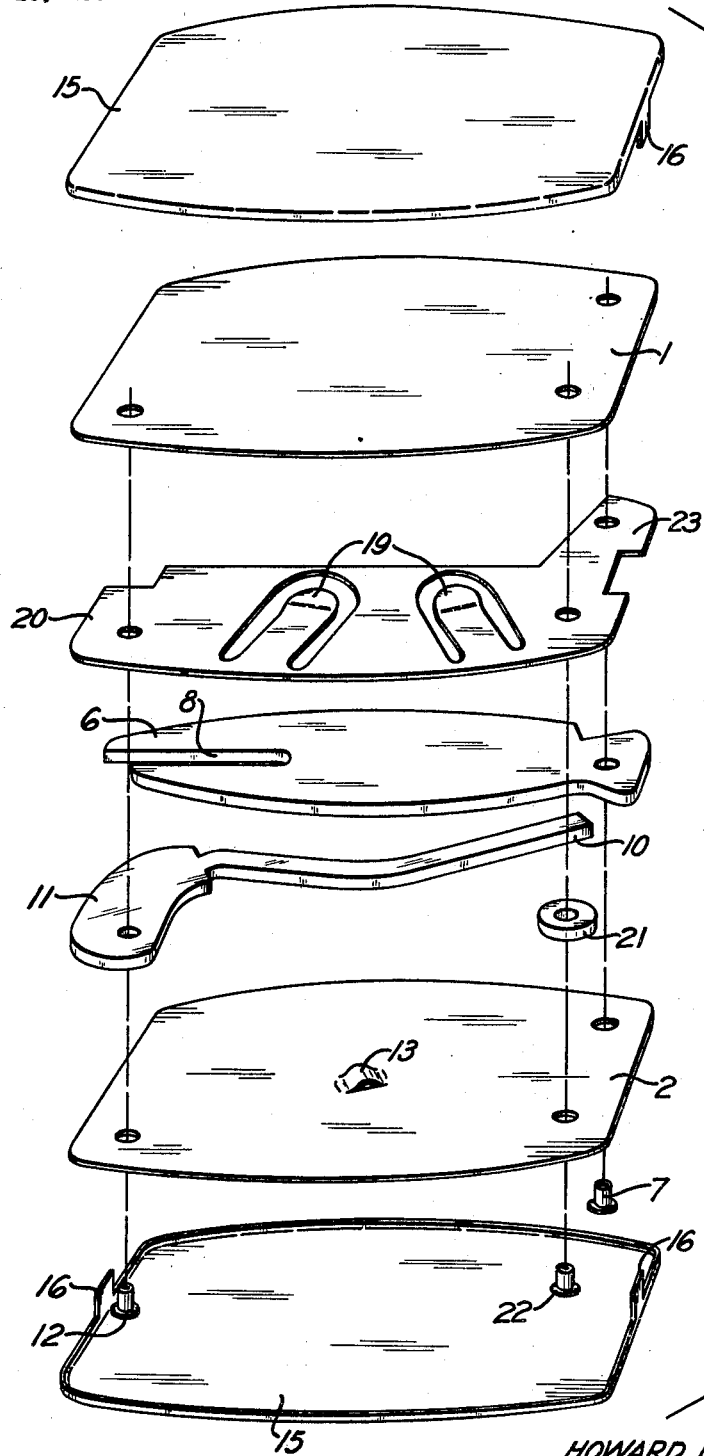


Fig. 6

INVENTOR.
HOWARD D. YATES
BY
Brown, Critchlow, Flick & Peckham.
ATTORNEYS.

1

2

3,496,590

UTILITY POCKET-PIECE FOR GOLFERS

Howard D. Yates, Bradford, Pa., assignor to Zippo Manufacturing Company, Bradford, Pa., a corporation of Pennsylvania

Filed Oct. 10, 1967, Ser. No. 674,260

Int. Cl. A47I 23/00

U.S. Cl. 15—105

8 Claims

ABSTRACT OF THE DISCLOSURE

A handle is provided with a pair of slots extending inwardly toward each other from its opposite side edges. In one of these slots is concealed a blade that can be swung out of the handle for repairing putting green depressions and for cleaning debris from golf shoes. A spring tongue is mounted in the other slot at one side thereof and projects toward the opposite side of that slot to frictionally hold in the slot at least one golf ball position marker.

It is among the objects of this invention to provide an accessory for golfers to carry in their pockets, which can be used for cleaning dirt from their shoes, which can be employed for lifting putting green turf where it has been indented by falling golf balls, and which is formed for removably receiving markers to be used in marking the positions of golf balls on putting greens. Another object is to provide such an accessory which is thin and compact and pleasing in appearance.

In accordance with this invention, a handle has ends and a pair of opposite side edges, and is provided with a pair of longitudinal slots extending inwardly toward each other from those edges. A blade normally is disposed in one of the slots lengthwise thereof and has one end pivotally connected to the handle so that the blade can be swung out of the handle to operative position. A spring inside the handle in engagement with the pivoted end of the blade holds it in its concealed and operative positions. Mounted in the other handle slot is a spring tongue to frictionally hold therein one or more ball position markers when inserted in that slot.

The preferred embodiment of the invention is illustrated in the accompanying drawings, in which

FIG. 1 is a side view of the accessory;

FIG. 2 is an end view thereof;

FIG. 3 is an edge view;

FIG. 4 is a section taken on the line IV—IV of FIG. 3;

FIG. 5 is an enlarged cross section taken on the line V—V of FIG. 4; and

FIG. 6 is an exploded view.

Referring to the drawings, a pair of parallel thin plates 1 and 2 are spaced apart a short distance by means that will be described presently. The plates may have various shapes, but preferably are symmetrical and elongated with flat ends and flat or convex side edges. The space between the plates forms two longitudinal slots 3 and 4 extending inwardly toward each other from the side edges of the plates as shown in FIG. 5.

Disposed in and substantially filling slot 3 is a blade 6, one end of which is pivotally connected to the adjoining plates by means of a rivet 7. The pivoted end of the blade therefore spaces the plates apart at one corner. This blade is designed for two purposes. Its primary purpose is for repairing depressions or indentations in putting greens, caused by golf balls falling on the greens after fairly long approach shots. The repair is made by pushing the blade into the turf beneath the depression and raising it to smooth out the green. The blade also can be used for cleaning dirt and grass from around the welts of golf shoes and from the spikes that project from the soles. For

this second purpose it is desirable to provide the blade with a slot 8 extending inwardly from its free end. This slot is wide enough to receive a shoe spike so that the blade, after it has been swung out of slot 3, can be pushed over a spike and then moved outwardly along it to strip dirt from the spike. While the blade is in concealed position between the plates, the portion of the blade at the outer side of its slot 8 preferably projects from the adjoining end of slot 3 as shown in FIGS. 1 and 4 to provide a tip that can be engaged by a thumb or finger to swing the blade out to operative position.

In order to hold the blade in either its concealed or its operative position, a leaf spring is mounted between the plates. This spring 10, which resembles a short wire, extends lengthwise of plates 1 and 2 about midway between their side edges and thereby forms a common inner wall for slots 3 and 4. The spring has a free end that presses against the inner edge of the concealed blade between rivet 7 and the adjacent end of the blade to resist outward swinging of the blade. After the blade has been swung outwardly 180° so that it projects from one end of the plates, the pressure of the spring against it resists swinging the blade out of that position. The opposite end of the spring is anchored to the plates. This can be done by joining it to a flat lug 11 that fills the end of slot 4 at the end of the plates farthest from rivet 7. The outer end of this lug receives a rivet 12 that extends through the adjoining plates. The lug spaces the plates where it is located. To prevent the lug from pivoting on its rivet and rendering the spring ineffective, the central portion of the spring engages a stop 13 in slot 4. This stop most suitably is formed by simply pressing a detent inwardly out of plate 2.

To give the device a finished and pleasing appearance, the plates 1 and 2 may be concealed by flat covers 15 of the same shape provided with peripheral flanges that overlap the edges of the plates. The ends of the covers have integral ears 16 that are bent around the ends of the plates to lock them together. The covers may be made of various materials, stainless steel being a good one for such a handle. The resulting accessory for golfers is thin and compact and occupies but little space in a pocket.

A further feature of this invention is that the pocket-piece is formed for carrying markers, by which the position of a golf ball on a putting green can be marked when the ball is removed to prevent it from interfering with the putt of another golfer. Accordingly, at least one spring tongue is mounted in slot 2 for frictionally holding therein a marker in the form of a small disc 18 or a dime. Preferably there are two such spring tongues 19, one at each side of stop 13 and each extending inwardly of slot 2 from near its outer edge. The tongues can be formed conveniently by punching them out of a thin strip 20 of resilient material, such as spring steel. In such a case, the strip is mounted against one wall of slot 4, where it is clamped between one of the plates and lug 11 and a spacing washer 21 at the opposite end of the slot. A rivet 22 extends through the washer and plates. If desired, the strip can be provided with a lateral extension 23 that is clamped between plate 1 and the pivoted end of the blade. The two tongues project toward the opposite side of slot 4 as shown in FIGS. 3 and 5 and will hold therein markers 18 that are inserted in the slot. When the markers are pushed into the slot as far as they will go they will still project a short distance to allow them to be grasped by the fingers and removed. The markers cannot be pushed out of the ends of the slot accidentally, because lug 11 and washer 21 close those ends. After a marker has been used, it can be returned to the slotted handle where it will be available whenever desired.

According to the provisions of the patent statutes, I have explained the principle of my invention and have

3

illustrated and described what I now consider to represent its best embodiment. However, I desire to have it understood that, within the scope of the appended claims, the invention may be practiced otherwise than as specifically illustrated and described.

I claim:

1. A golfer's utility pocket-piece comprising a handle having ends and a pair of opposite side edges, the handle being provided with a pair of longitudinal slots extending inwardly toward each other from said edges, a blade normally disposed in substantially concealed position in one of said slots lengthwise thereof, means pivotally connecting one end of the blade to the handle so that the blade can be swung out of the handle to an operative position, a spring mounted in the handle in engagement with the pivoted end of the blade to hold the blade in its concealed and operative positions, and a spring tongue mounted in the other slot at one side thereof and projecting toward the opposite side of the slot to frictionally hold in that slot a ball position marker when inserted therein between tongue and opposite side.

2. A golfer's utility pocket-piece according to claim 1, in which said blade is provided with a slot extending inwardly from its free end.

3. A golfer's utility pocket-piece according to claim 1, in which said spring is a leaf spring extending lengthwise of the handle and forming a common inner wall for said slots and limiting the distance a marker can be inserted in the tongue-containing slot, and means in the opposite ends of the last-mentioned slot to prevent a marker from sliding out of those ends.

4. A golfer's utility pocket-piece according to claim 1, in which one side of said last-mentioned slot is provided with an inwardly projecting rigid detent and there are two spring tongues, one tongue being at each side of said detent.

5. A golfer's utility pocket-piece according to claim 4,

4

in which said tongues are integral parts of a thin strip mounted in said last-mentioned slot against one wall thereof.

6. A golfer's utility pocket-piece according to claim 1, in which said spring is a leaf spring extending lengthwise of the handle and forming a common inner wall for said slots, the end of the spring remote from said pivoted end of the blade being anchored to the handle, and one side of said tongue-containing slot being provided with an inwardly projecting rigid detent engaged by the central part of the spring.

7. A golfer's utility pocket-piece according to claim 1, in which said spring tongue is an integral part of a thin strip mounted in said other slot against one wall thereof.

8. A golfer's utility pocket-piece according to claim 1, in which said spring is a leaf spring extending lengthwise of the handle and forming a common inner wall for said slots, the end of the spring remote from said pivoted end of the blade extending across the end of said other slot, and said pocket-piece including means obstructing the opposite end of said other slot.

References Cited

UNITED STATES PATENTS

362,700	5/1887	Ball	-----	7-11	X
2,718,695	9/1955	Elsener	-----	30-161	X

FOREIGN PATENTS

761,338	9/1933	France.
228,468	9/1924	Great Britain.

ROBERT C. RIORDON, Primary Examiner

GARY F. GRAFEL, Assistant Examiner

U.S. Cl. X.R.

15-237; 30-143, 145